



# TECHNICAL BULLETIN

TB1221

<b>ADDRESSEES</b>	: ABC Customer Care and Parts Source
<b>COACH/BUS MODEL</b>	: A330, AG300 with ISM02 engine
<b>BULLETIN TYPE</b>	: Parts Information
<b>SECTION/CHAPTER</b>	: Section 2 – Cooling Chapter 2.34 Cooling system – hydraulic fan drive
<b>DATE</b>	: October 28, 2008
<b>SUBJECT</b>	: <b>New hydraulic multi gear pump assembly</b>
<b>TERMS &amp; CONDITIONS</b>	: No claims will be accepted with reference to this Bulletin.

## **APPLICATION:**

The parts information subject of this Bulletin is applicable to following units:

<b>Model</b>	<b>Engine</b>	<b>Transmission</b>	<b>VIN</b>	<b>Customer</b>
AG300	Cummins ISM02	Voith 864.5	62618 → 62627, 62656 → 62670	ACT
AG300		Voith 864.3	62213, 62511 → 62532, 62671 → 62672, 62705 → 62709	YRT
A330		Voith 864.3	63477 → 63531, 63718 → 63722	YRT

## **DESCRIPTION:**

1. The hydraulic cooling fan and the power steering system of the above-mentioned units are powered by Rexroth/Bosch multi gear pump assembly VH 10911389.
2. As a result of availability issues and extended lead times, Van Hool have sourced an alternative pump to serve both as OE equipment and as service replacement.
3. HPI multi gear pump VH 11084817 (Figure 1) is readily available and is directly interchangeable with pump VH 10911389.
4. As there are no quality issues, both pumps will be installed as OE equipment, depending on demand and actual stock available.  
The same goes for service replacement parts.

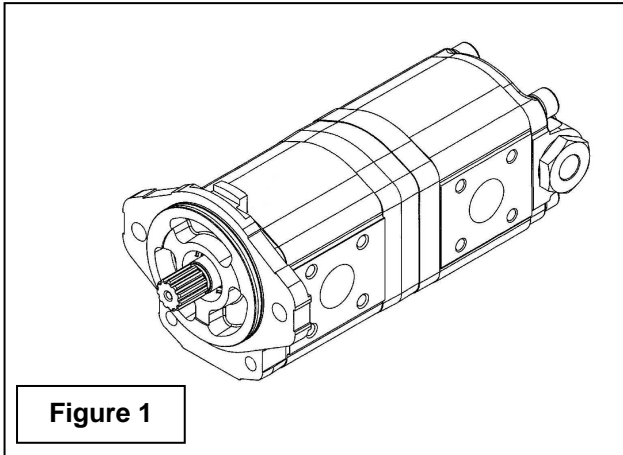
*Continued on next page.*

## **PARTS AND PRODUCTS:**

### **Old parts**

<b>VH reference</b>	<b>Description</b>	<b>Qty.</b>
VH 10911389	Hydraulic pump assembly, multi gear	1

### **New parts (Figure 1)**



<b>VH reference</b>	<b>Description</b>	<b>Qty.</b>
VH 11084817	Hydraulic pump assembly, multi gear, alternative for VH 10911389	1

- Old and new parts are interchangeable.
- Both old and new parts will be available as service replacements.
- Parts may be purchased from your nearest ABC Customer Care & Parts Source service center.
- Parts/Waste disposal: discard old parts and products according to applicable environmental regulations.

## **INFORMATION HANDLING:**

Important supplements to and modifications of the technical information not yet included in the manual, are communicated by means of Technical Bulletins.

File the Technical Bulletins at the back of your manual, in numerical order.

To make sure that you will be reminded of the Bulletins that have appeared in the meantime while paging the manual, mark the pages concerned by hand with the Technical Bulletin number.