



SERVICE BULLETIN

SB1135A

| | |
|-------------------------------|--|
| ADDRESSEES | : ABC Customer Care and Parts Source |
| COACH/BUS MODEL | : C2045E and T2100E Series units equipped with ADA wheel chair lift and Van Hool seating |
| BULLETIN TYPE | : Service Information |
| SECTION/CHAPTER | : Operating Manual: Chapter 3 - Operation |
| DATE | : June 18, 2007 |
| SUBJECT | : Slider seats - operation |
| TERMS & CONDITIONS | : No claims will be accepted with reference to this Bulletin. This Service Bulletin supplements Service Bulletin #1135 |

APPLICATION:

On the above-mentioned units a new slider seat locking device has been cut into production.

DESCRIPTION:

1. The previous model slider seats feature a quick-release clamping device (pull rod and lever assembly), which allows them to be relocated with minimum effort (see Figure 1) and clamped in any position desired.

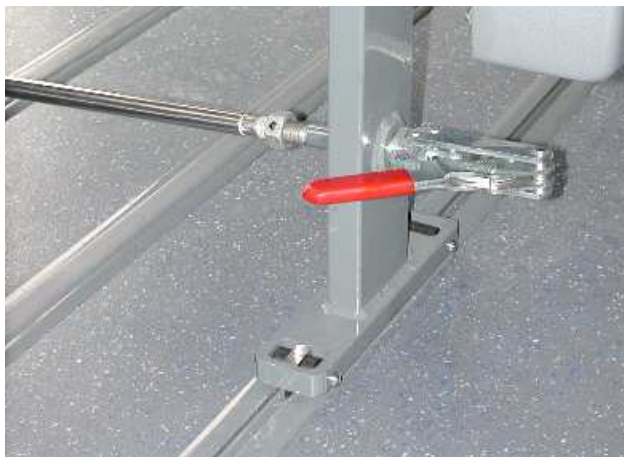


Figure 1: Quick-release pull rod and lever assembly clamping the angles at the base of the pedestal onto the seat tracks

2. In production this installation has been further developed by adding a positive locking device to the base of the aisle side pedestal (see Figure 2), allowing the seats to be returned to and secured into the predetermined seating position.
When engaged, a springloaded square bolt positively secures the slider seat assembly into a dedicated hole in the aisle side track.
When disengaged, the square bolt is lifted against the spring pressure and the slider seat can be moved back and forth as required, provided the lever of the quick-release clamping device (see Figure 1) has been moved to the full release position.

Description continued on next page.

Continued from page 1.

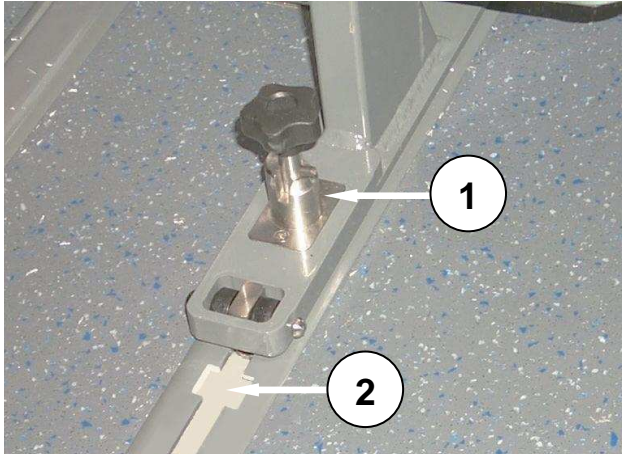
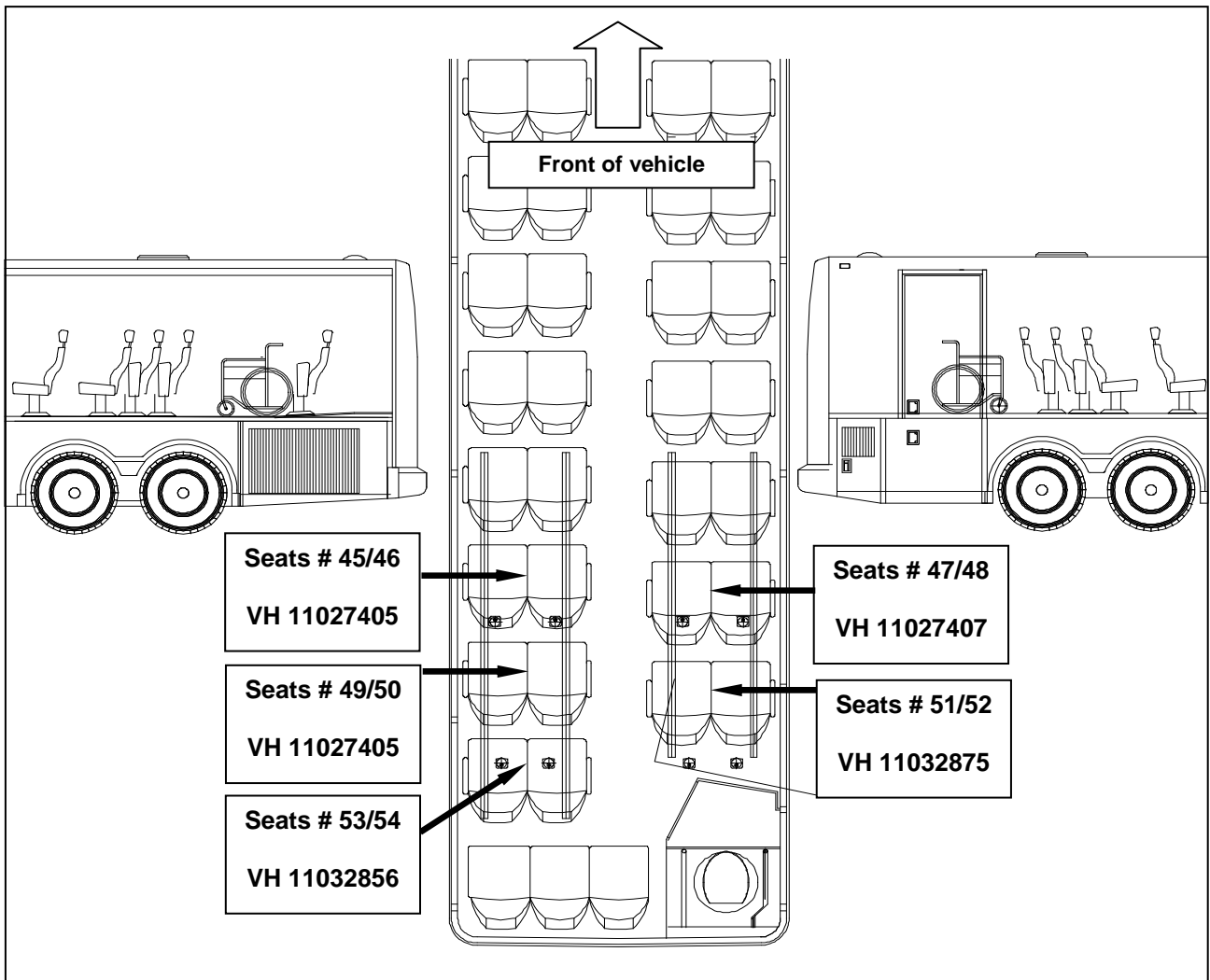


Figure 2: Slider seat locking device with springloaded bolt (1) and bolt retaining hole (2)

3. The procedure further in this Bulletin explains the installation and operation of the new slider seats in more detail.



**Figure 3: Body Line slider seat assemblies # 45/46 up to and including assembly # 51/52, installed in the lift door area.
Fixed seat assembly # 53/54 has folding seats only.**

PARTS AND PRODUCTS:

| Part No. | Description | Seats # | Qty.* |
|-----------------|---|----------------|--------------|
| VH 11027407 | Two-seat assembly, RH, slider w/ positive locking device, fold-up seats | 47/48 | 1 |
| VH11032875 | Two-seat assembly, RH, slider w/ positive locking device, fold-up seats, no footrests | 51/52 | 1 |
| VH 11027405 | Two-seat assembly, LH, slider w/ positive locking device, fold-up seats | 45/46, 49/50 | 2 |
| VH 11032856 | Two-seat assembly, LH, non-slider, flip-up seats | 54/55 | 1 |

*Quantities per coach

- Slider seat assemblies can be ordered from your nearest ABC Customer Care & Parts Source dealership with upholstery in any fabric color of the Crown Class Labelle Body Line range.
- Parts and products disposition: discard according to applicable environmental regulations.

PROCEDURE: To operate the slider seat assemblies

1. General:

- The time required to stow away all slider seat assemblies is approximately 0.2 hours.

2. Special tools, equipment or services:

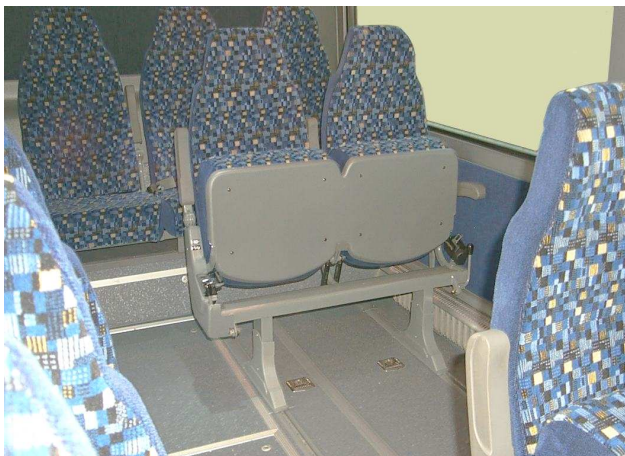
- No special tools, equipment or services are required.

3. Preparations:

- Park the coach on a level surface with the front wheels straight.
- If the wheel chair lift is going to be used:
 - Apply the parking brake.
 - Shift the transmission to neutral.
 - Make sure the lift doors are closed.
 - Enable the wheel chair lift system as explained in the Operating Manual.
- Read the entire procedure and the sidebar on pages 8 and 9 before beginning to work.

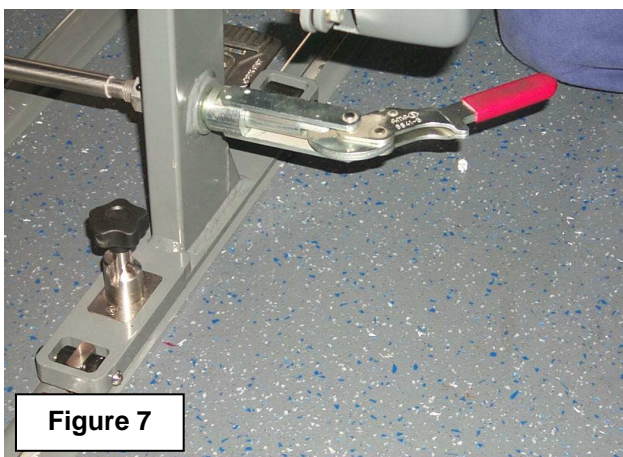
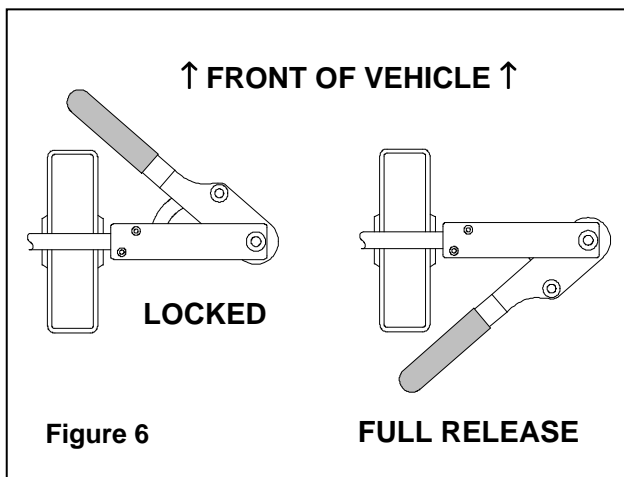
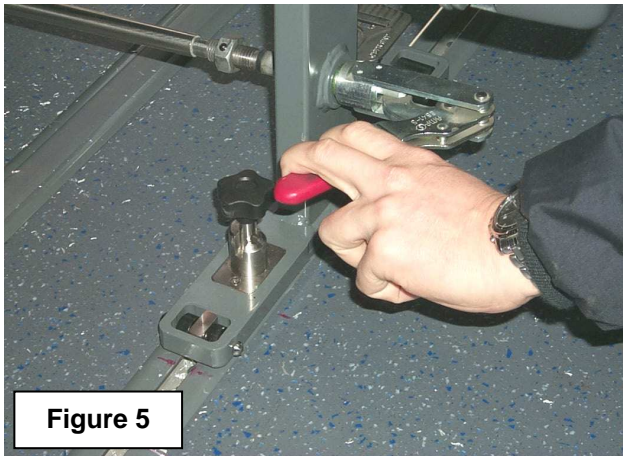
4. To stow away the slider seat assemblies:

- 1) Flip-up the cushions of seats 45 through 54 (see Figure 4).
Flip-up the footrests of seats 45 through 50.



**Figure 4: Non-slider seat
VH 11032856 with seats folded up**

- 2) Starting with the slider seat that is closest to a fixed seat assembly, unlatch the quick release clamping device by pulling back the lever (see Figure 5) to the full release position (see Figures 6 and 7).
The seats are kept upright by the sliding anchors in the tracks.



- 3) Unlock the positive locking device as follows (see Figure 8):
- Lift the roll pin from its seat by pulling up the knob against the spring pressure.
 - Turn the knob counterclockwise through 90° until the roll pin butts the end stop.

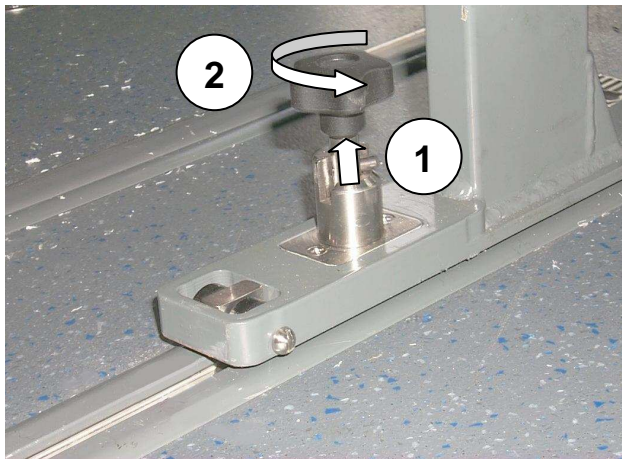


Figure 8: Positive locking device operation

To unlock, pull-up knob and turn counterclockwise through 90°

To lock, turn knob clockwise through 90°. Spring will lower bolt and roll pin as soon as bolt hits retaining hole in seat track

- 4) Slide the seat assembly forward until it touches the fixed seat assembly ahead. The slider seat pedestals have rollers for easy moving. Secure the slider seat assembly by pulling the clamping device lever forward (Figure 7). Proceed likewise for the remaining slider seats (see Figure 9).



Figure 9

- 5) With the seats of fixed seat assembly # 53/54 pulled up, there now is sufficient room to properly install and lash (a) wheelchair(s) (see Figure 10).

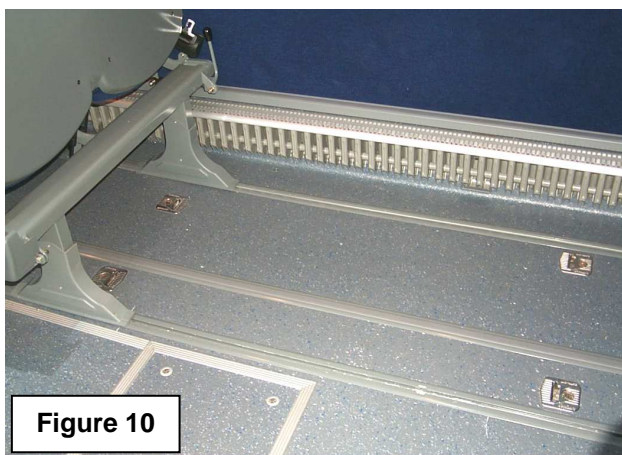


Figure 10

CAUTION: Do not use seat assembly # 53/54 to seat passengers when a wheel chair is lashed in the left-hand wheel chair area of the coach.

5. To reinstall the slider seat assemblies for the predetermined seating arrangement:

- 1) Fold-down the seats of fixed seat assembly # 53/54.
- 2) Unlatch the quick-release clamping device of seat assembly # 49/50.
Turn the locking device knob clockwise through 90°
- 3) Slide the seat assembly back into its original position.
The locking device will lock the assembly as soon as the square bolt hits the retaining hole.
Latch the quick-release clamping device by pulling the lever fully forward.
- 4) Proceed likewise for the remaining slider seat assemblies.

6. To adjust the quick-release clamping device push/pull-rod:

The clamping force on the seat pedestals can be increased/decreased by means of an adjuster nut and a jam nut (see Figure11).

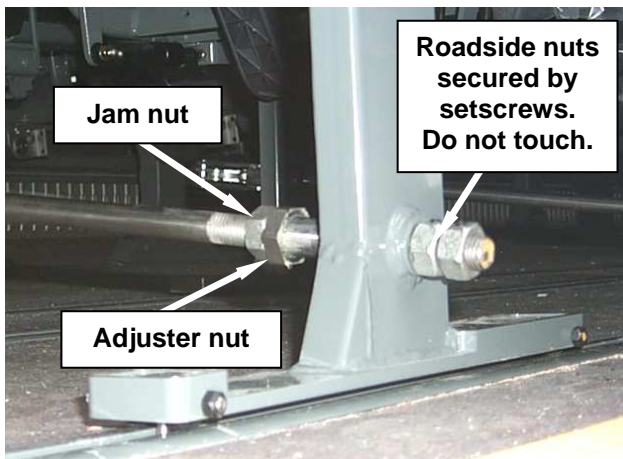


Figure 11: Clamping force adjuster nut and jam nut. Push/pull rod in full release position

Proceed as follows:

- 1) With the lever in the fully locked position (see Figure 12), undo the jam nut (see Figure 13).
Adjust the adjuster nut to obtain full clamping force onto the seat tracks.
Retighten the jam nut.



Figure 12: Push/pull rod in the fully locked position. Operating lever fully forwards



Figure 13: Adjusting the push/pull rod throw

- 2) Flick the lever to the full release position (to back of coach).
Check the seat assembly to slide freely in the seat tracks.
- 3) If the seat assembly does not slide freely, re-adjust the rod throw as necessary.
Secure the jam nut.

Procedure complete.

DISCLAIMER:

The procedures contained herein are not exclusive. Van Hool cannot possibly know, evaluate, or advise the transportation industry of all conceivable ways in which a procedure may be undertaken or of the possible consequences of each such procedure. Other procedures may be as good, or better, depending upon the particular circumstances involved.

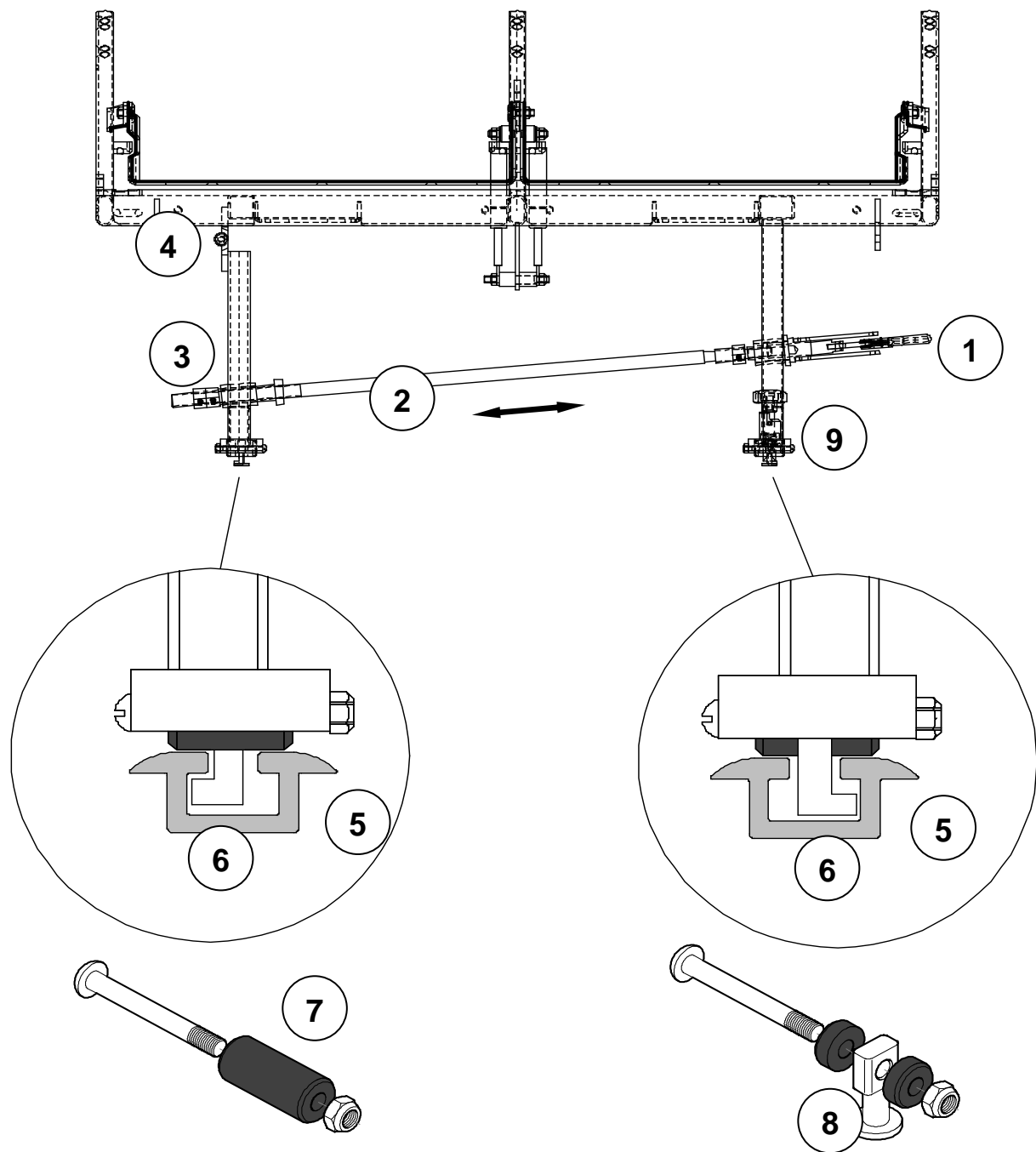
Each carrier who uses the procedures herein must first satisfy itself thoroughly that neither the safety of its employees or agents, nor the safety or usefulness of any products, will be jeopardized by any procedure selected.

SERVICE INFORMATION:

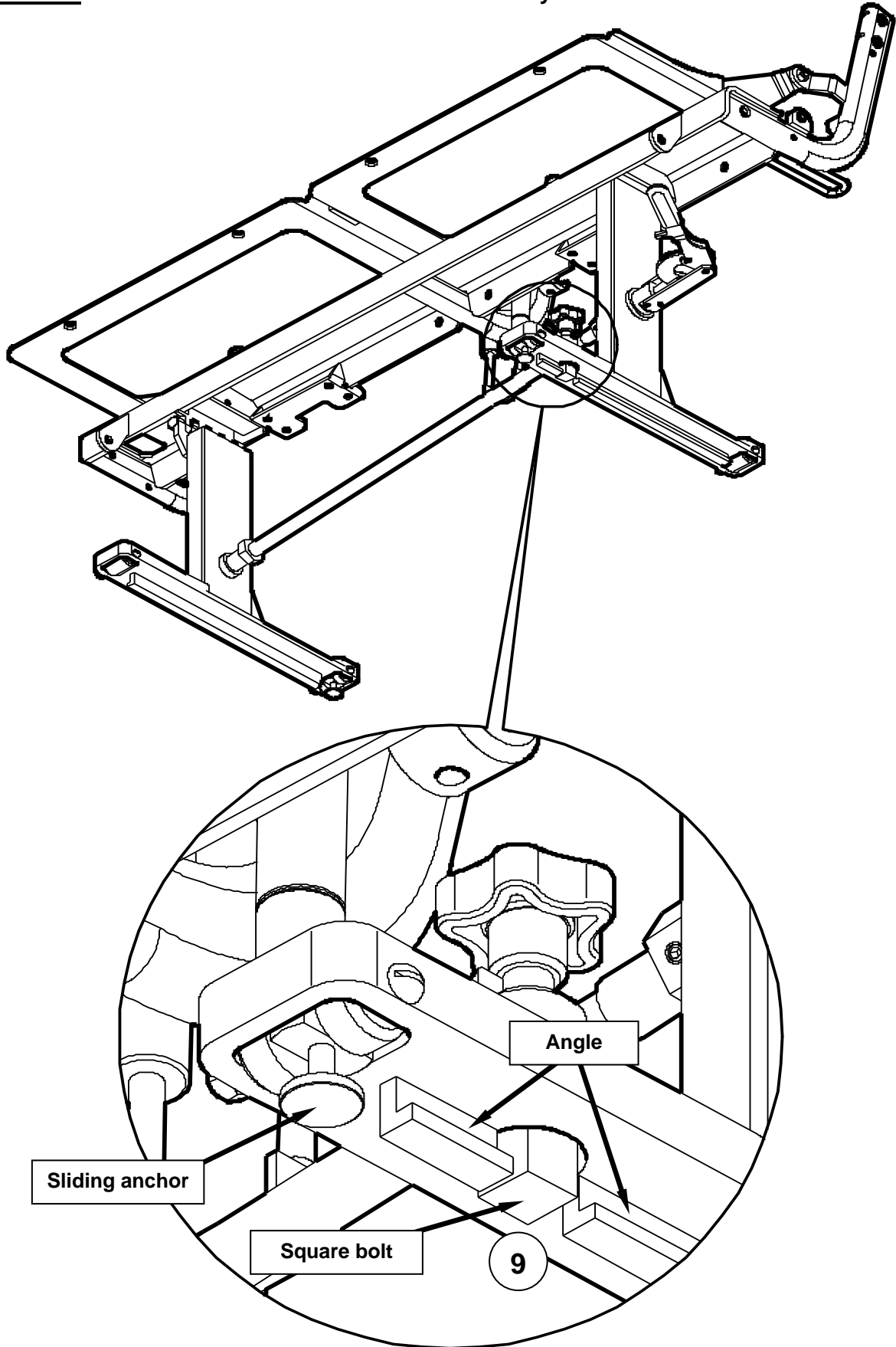
Service Bulletins are issued to supplement or supersede information in the Van Hool manuals. Note Service Bulletin number, date and subject on the register at the end of the relevant chapter(s). File Service Bulletin separately for future reference.

Sidebar: Van Hool slider seat assemblies – how they work 1

By moving the seat lever (1) from the locked position to full release, or vice versa, the position of push/pull rod (2) is changed by the cam located within the lever, changing the thrust on the pedestals and rotating the roadside pedestal (3) about its hinge (4). This action secures/releases both pedestals and allows them to either slide in the seat track runners (5) or be clamped stationary by the angles at the pedestal base (6). Rollers fore and aft of each pedestal (7) provide for effortless sliding of the assembly. While the assembly is being handled, it remains secured in the runners by a sliding anchor at the base of each pedestal (8). To secure the assembly in its predetermined location, a locking device has been provided (9), which when engaged, positively locks the assembly by means of a springloaded bolt into a dedicated hole in the aisle side seat track.



Sidebar: Van Hool slider seat assemblies – how they work 2



THIS PAGE HAS BEEN LEFT BLANK INTENTIONALLY