



Service Bulletin No.97/101

MODEL	: T-815/9 45FT DD (T-915/45 DD); T-900/40 & T-900/45; T-900/45 SHELL; T 2140 & T 2145
VIN	: See list attached
TYPE	: Field change program
SECTION	: Chapter 3 - Drive train
DATE	: July 18 th , 1997
SUBJECT	: IDLER PULLEY
CONDITIONS	: Refer to customer letter accompanying this bulletin

DESCRIPTION : Van Hool has made improvements on the idler pulley assembly in order to increase the operating life of the bearings. Components involved are located in the engine compartment, between the engine and cooling fan.

SPARE PARTS REQUIRED		
Always use genuine maintenance products and parts. Do not accept imitations!		
Part No.	Description	Qty.
VH 10616377	Idler pulley repair kit	1

Please file this Service bulletin at the end of the relevant chapter in the maintenance manual and replace the present Service Bulletin Index by the one attached. Customers wishing to file the Service Bulletin by the number can do so referring to the separate Numerical Service Bulletin Index.

List of vehicle identification numbers (VIN)

27691	28594	29039	29073	29302	29335
27692	28595	29040	29074	29303	29336
27693	28596	29041	29075	29304	29337
27694	28597	29042	29076	29305	29338
27695	28598	29043	29077	29306	29339
28480	28599	29044	29078	29307	29340
28481	28600	29045	29079	29308	29341
28482	29013	29046	29080	29309	29342
28483	29014	29047	29081	29310	29343
28484	29015	29048	29082	29311	29344
28485	29016	29049	29083	29312	29345
28572	29017	29050	29084	29313	29346
28573	29018	29051	29085	29314	29347
28574	29019	29052	29086	29315	29348
28575	29020	29053	29087	29316	29349
28576	29021	29054	29088	29317	29350
28577	29022	29055	29089	29318	29351
28578	29023	29056	29090	29319	29352
28579	29024	29057	29091	29320	29353
28580	29025	29058	29092	29321	29354
28581	29026	29059	29093	29322	29355
28582	29027	29060	29094	29323	29356
28583	29028	29061	29095	29324	29701
28584	29029	29062	29096	29325	29711
28585	29030	29063	29100	29326	40000
28586	29031	29064	29101	29327	40001
28587	29032	29065	29102	29328	43000
28588	29033	29066	29103	29329	43001
28589	29034	29067	29104	29330	
28590	29035	29068	29105	29331	
28591	29036	29069	29106	29332	
28592	29037	29070	29107	29333	
28593	29038	29071	29301	29334	

IDLER PULLEY BEARINGS & SHAFT IMPROVED ASSEMBLY PROCEDURE

!!! CAUTION !!!

USE SAFE SHOP PRACTICES AT ALL TIMES.

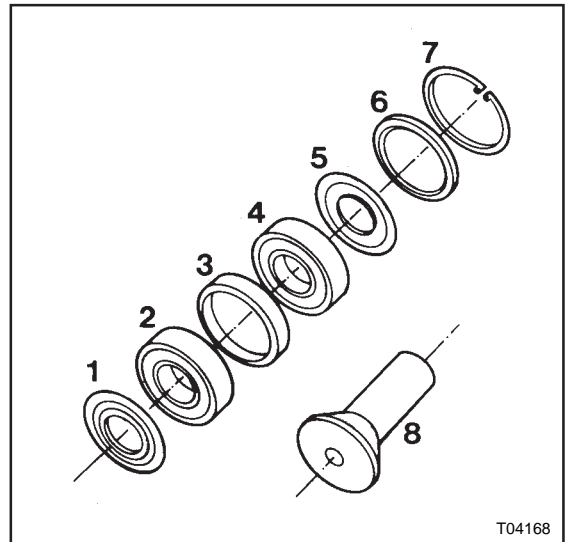
READ THE ENTIRE PROCEDURE BEFORE BEGINNING WORK.

WHAT YOU NEED:

Parts

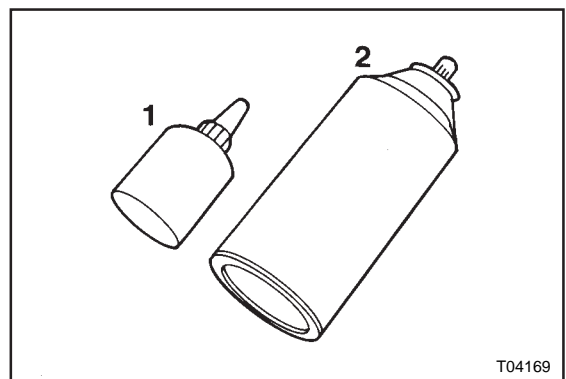
Van Hool repair kit No.10616377
includes items 1 to 8:

1. Dust cover
2. Bearing
3. Gold colored spacer ring
4. Bearing
5. Dust cover
6. Aluminum colored spacer ring
7. Snap ring
8. Pulley shaft



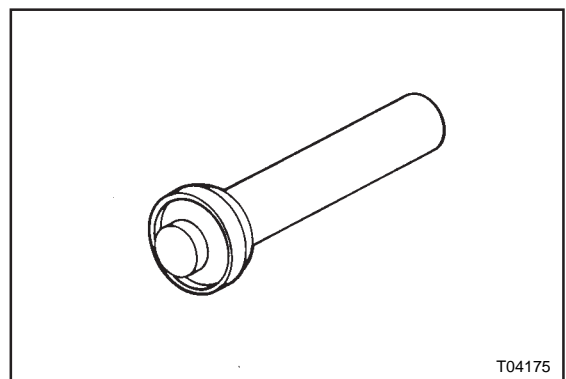
Products

1. Loctite fastener 603
2. Loctite cleaner 7061 or equivalent



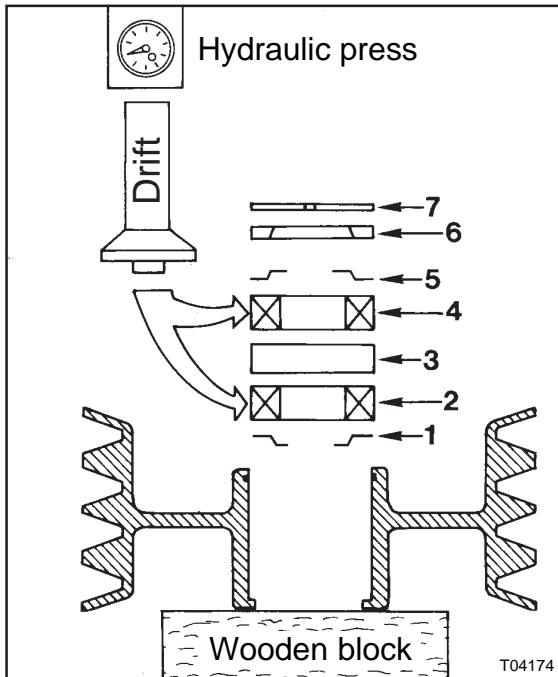
Tools

1. Bearing installation drift ,see figure (VH No. 10616471)
2. Snap ring pliers
3. Hydraulic bench press
4. Clean rags
5. Wooden supporting block



PROCEDURE:

1. Clean pulley thoroughly with solvent. Dry with compressed air.



NOTE:

Do not use grease during installation.

2. Install dust cover (1). Note direction of cover.
3. Press in bearing (2) with special VH drift or equivalent. If using equivalent tool, make sure bearing is pressed in by the outer race.
4. Install gold colored spacer ring (3).
5. Press in bearing (4) with special VH drift or equivalent. If using equivalent tool, make sure bearing is pressed in by the outer race.
6. Install dust cover (5). Note direction of cover.
7. Install aluminum colored spacer ring (6) with countersunk side facing upwards.
8. Install snap ring (7).
9. Clean the inner race of both bearings and the pulley shaft with Loctite 7061 or equivalent.
10. Apply Loctite 603 evenly to the inner race of both bearings and the pulley shaft.
11. Slide pulley shaft in by hand starting from the opposite side of the snap ring.
12. Move the shaft back and forth to spread Loctite 603 evenly.
13. Push shaft fully in.
14. Wipe off excess Loctite.
15. Allow to dry for 6 hours before installing on coach.