

COACH MODEL : C 2045, T2140, T2145 and TD925 with ISX Engine

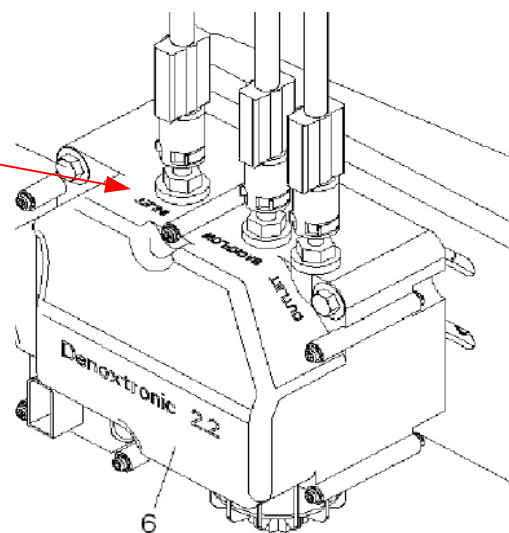
DATE : 7/17/2013

SUBJECT : Diesel Exhaust Fluid (DEF) Filter information

The DEF system used on the ISX Engine can be confusing since it uses both Cummins and VanHool parts. Shown below are the Cummins Pump and filters used in the ISX Engine.



The small blue filter is located in the Inlet port of the Cummins pump



Cummins P/N 2880299



Cummins P/N 2871880,
24 Volt

Round cylinder style filter is mounted internally in the Cummins pump. Unscrew the cap to access the filter.



Cummins P/N 2880298