

COACH MODEL : All Models With ABS Brakes

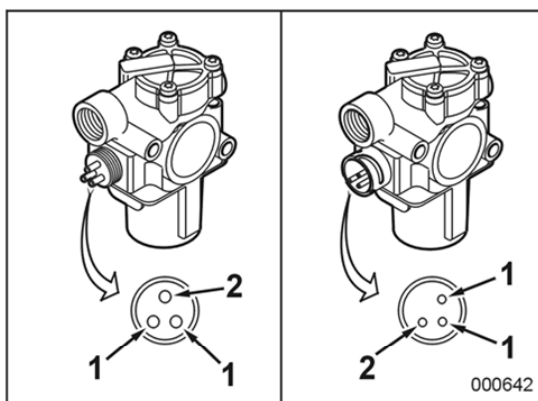
DATE : 10/1/2012

SUBJECT : How To Test The Resistance Value On The ABS Valve

To check ABS valve

Location of ABS valves: Refer to "Maintenance Manual"

Figure: ABS valve terminals:



Left: ABS valve with screw socket; right: ABS valve with bayonet socket

- 1 Solenoid coil terminals
- 2 Ground terminal

Procedure

- | Step | Action |
|------|---|
| 1 | Switch off master switch on dashboard. |
| 2 | Disconnect connectors from electronic control unit. |
| 3 | Measure resistance of ABS valve and wiring as one unit. Measure resistance at pins indicated further on under "Measuring points". Reading should be between 11.0 and 21.0 Ohms. |
| 4 | <ul style="list-style-type: none"> • Resistance greater than 21.0 Ohms: clean electrical terminals of ABS valve. • Resistance infinite (=interruption): disconnect connector from ABS valve. Measure resistance straight at ABS valve, between each solenoid coil terminal and ground terminal. |
| 5 | <ul style="list-style-type: none"> • If resistance is still infinite, you have to change ABS valve. • If resistance is no more infinite, you know interruption is located in wiring between electronic control unit and ABS valve. |

Note:

Refer to Maintenance Manual for more information.