

**COACH MODEL :** T-2140, T-2145, C2045 and TD925 Model Years

**DATE :** 10/10/2012

**SUBJECT :** Batteries Unequally Charged

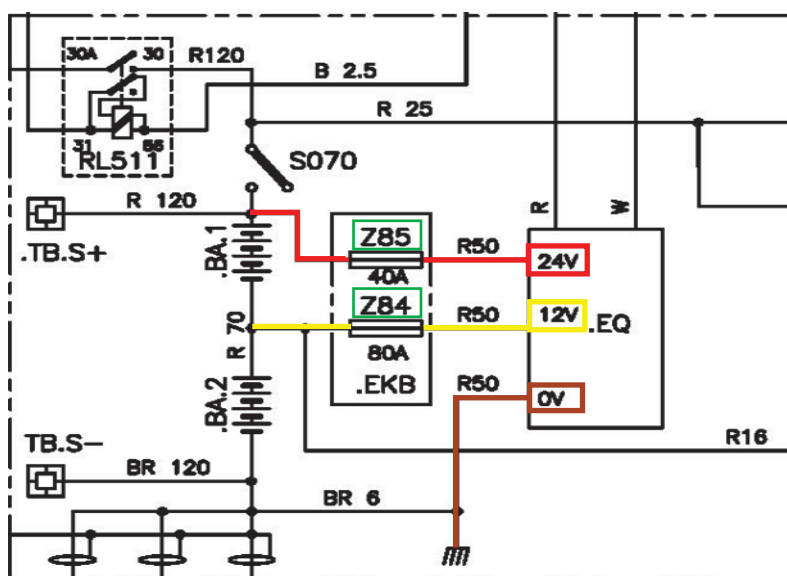
## BATTERY EQUALIZER

### PURPOSE:

Keeps batteries in equal state of charge, regardless of the 12 VDC or the 24 VDC loads.

**TO TEST:** Measure and record at the equalizer.

- Battery A voltage (voltage between the equalizer +12 and GND terminals)
- Battery B voltage (voltage between the equalizer +24 and +12 terminals)
- Subtract battery A voltage from battery B voltage and compare readings.
- Voltage difference should be around one tenth of a volt (.1Volts)



### If voltage difference is greater than .1 volts:

- Test the batteries individually and verify the wiring from the batteries to the equalizer is intact and not corroded.
- Verify Z85 is good by checking for +24Volts on both sides of Z85. If Z85 is blown there will only be +12Volts present on the equalizer side of Z85.
- Verify Z84 is good by removing Z84 from the circuit and testing with an ohmmeter. With Z84 removed there will be +12Volts present on both sides of Z84.
- +12Volts coming from the battery and +12Volts coming from the equalizer. This is why its necessary to remove Z84 from the circuit to properly test the +12Volts side of the system.
- A typical failure with Fuse Z84 blown would be the +12Volt battery being undercharged and potentially causing a no crank situation.

**NOTE:** When replacing the equalizer always hook up the ground wire last.