

COACH MODEL : All VanHool Coaches with Espar Heating Systems

DATE : 8/1/2013

SUBJECT : Espar Heater Will Not Start

When diagnosing an Espar heater it is important to remember the unit will be locked if too many attempts are made to start the unit.

Approximately five unsuccessful attempts to start the Espar Heater will trigger the lock out feature. When the unit is locked out it is completely disabled and it will need to be unlocked before any further diagnosis can be made.

To unlock the unit remove the cover and fan assembly as shown below. Fabricate a fused jumper wire and apply +24 Volts to pin #13 (Yellow/Red) wire of the 18 pin connector for 3-5 seconds.

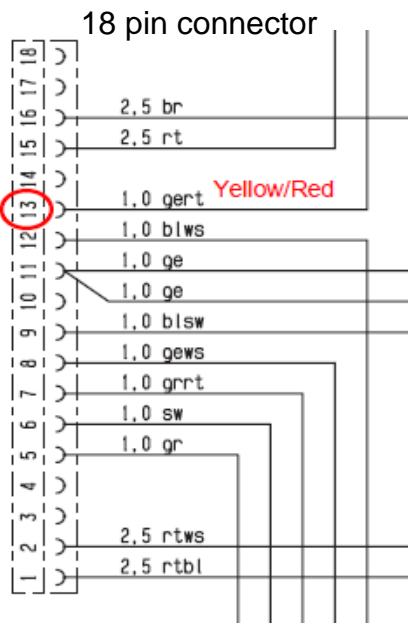
Figure A



Figure B



Insert flat blade screwdriver into motor shaft (4) and hold. Spin fan (1) clockwise to remove



The 18 pin connector is located behind the fan. The harness for 18 pin connector is shown as "2" in Figure B. When re-assembling, make sure the harness grommet is fully seated and secure in the metal housing unit. If not, the wires can get cut by the fan and possibly short together potentially causing component damage.