



Service Bulletin No. 1078

COACH MODEL	: T2100 Series
BULLETIN TYPE	: Product improvement
MANUAL & SECTION	: Maintenance Manual : Chapter 10 - HVAC system Spare Parts Manual : Section 771509 - Ventilation
PARTS BOOK REVISION	: Yes
DATE	: April 30th, 2001
SUBJECT	: Front unit fan manufacturer change
TERMS & CONDITIONS	: No claims will be accepted with reference to this Bulletin.

APPLICATION:

The specification change subject of this Bulletin has been cut into production as from the following units :

Model	VIN	VH 660507841	VH 10741229
T2145	→ 44235	OK	OK
Cummins	44235 →	N/G	OK
T2145	→ 44561	OK	OK
Detroit Diesel	44561 →	N/G	OK

DESCRIPTION:

A new fan assembly has been installed in the front unit of T2100 coaches. The procedure in this Bulletin shows how the old fan can be replaced by the new one provided minor modifications are made to the front unit.

Service Bulletins are issued to supplement or supersede information in the Van Hool manuals. Note Service Bulletin number, date and subject on the register at the end of the relevant chapter(s). File Service Bulletin separately for future reference.

PARTS:

Old part :

Part No.	Description	Qty.
VH 660507841	Fan	1

New part :

Part No.	Description	Qty.
VH 10741229	Fan	1

- Parts may be purchased through regular channels.
- Only new parts will be offered as service replacement for this application after the stock of old parts has been depleted.
- Always use genuine maintenance products and parts. Do not accept imitations.

PROCEDURE:

1. General :

- The service instructions below are applicable to T2100 units only.
- For more information refer to the Electrical Wiring Diagram Booklet that comes with the coach.

2. Cautions and basic safety rules :

- Park the coach on a level surface, apply the parking brake and shut down the engine.
- Switch off all systems and turn off the battery master switch.
- Put a « DO NOT OPERATE » tag on the steering wheel.
- Observe safe shop practices at all times.
- Read the entire procedure before beginning to work.

3. To replace the VH 660507841 front unit fan assembly :

NOTE

The procedure is shown with the front unit out of the coach for the sake of clarity.

1. Lower the front bumper and remove the spare wheel as explained in the Operator's Guide Book.
2. In the spare wheel compartment undo the four bolts securing the bottom cover plate to the front unit (see Figure 1).

K:\SERVICE\USA\PM\SB#\SB1078

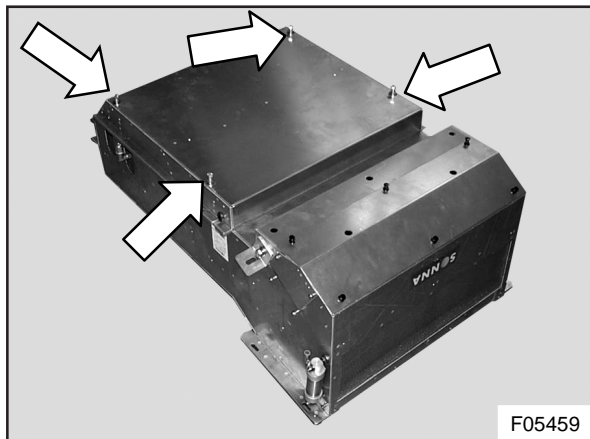


Figure 1 : Front unit bottom plate and retaining bolts

- Carefully lower the bottom plate by sliding the fan motor base (1, Figure 2) out of its guides (2, Figure 2). Disconnect the fan assembly power plug.

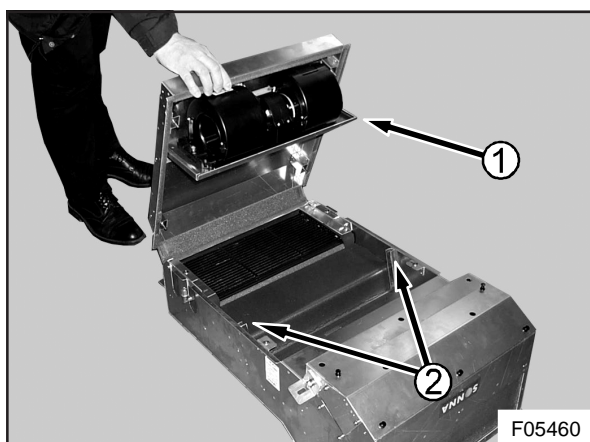


Figure 2 : Front unit bottom plate with fan motor base and guides

- Undo the two clamp bolts left and right of the fan assembly (see Figure 3) and remove the two clamps (see Figure 4) securing the fan motor to the base.

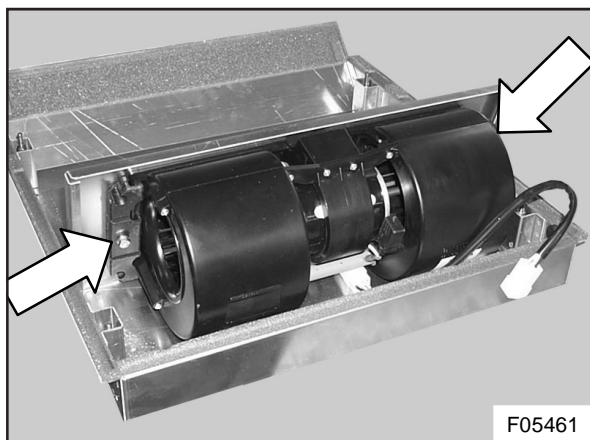


Figure 3 : Location of fan motor clamp bolts



Figure 4 : Fan motor mounting clamps

5. Lift the old motor from the bottom rail of the base plate.
6. Modify the bottom rail of the base plate by cutting back the lip shown in Figure 5 with an angle grinder.

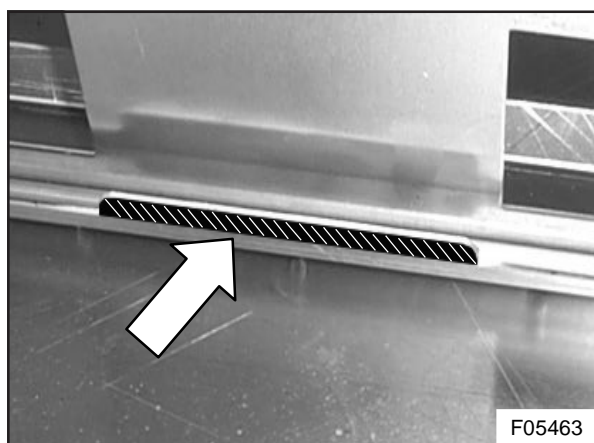


Figure 5 : Bottom rail lip needs cutting back to accept new assembly

7. Slip the lower flange of the new fan motor assembly in the bottom rail of the base plate taking care to accurately align the fan outlets with the holes in the plate. Secure the fan housing with the clamps. Tighten the clampbolts to a torque of 8 ft.lbf (10 Nm).
8. Connect the power plug of the new fan assembly to the coach wiring plug.
9. Reinstall the fan motor with base plate and bottom coverplate assembly into the front unit. Tighten the cover plate bolts to a torque of 8 ft.lbf (10 Nm).
10. Check front unit fan motor operation.
11. Reinstall the spare tyre and close the front bumper.

Procedure complete.