



# Service Bulletin No. 1070A

<b>COACH MODEL</b>	: All
<b>BULLETIN TYPE</b>	: Service information
<b>MANUAL &amp; SECTION</b>	: Maintenance Manual: Chapter 11 - Body and accessories
<b>DATE</b>	: May 31st, 2001
<b>SUBJECT</b>	: Passenger roller curtain return spring adjustment
<b>TERMS &amp; CONDITIONS</b>	: No claims will be accepted with reference to this Bulletin.

**THIS BULLETIN SUPERSEDES BULLETIN 1070**

**DESCRIPTION:**

Extensive use of the roller curtain may reduce the tension of the return spring, preventing the blind from rolling up properly, when released from the retaining hooks. The procedure below explains how the spring tension can be reset to its original value.

**SERVICE PROCEDURE :**

<b>CAUTION</b>
<b>OBSERVE SAFE SHOP PRACTICES AT ALL TIMES. READ THE ENTIRE PROCEDURE BEFORE BEGINNING TO WORK.</b>

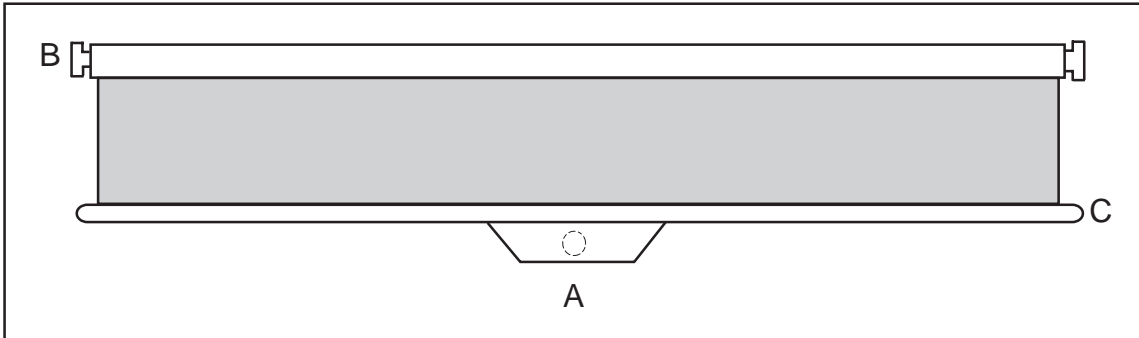
<b>CAUTION</b>
<b>THE RETURN SPRING WILL UNWIND SUDDENLY DURING REMOVAL OF THE ROLLER CURTAIN.</b>

1. Remove the affected roller curtain by undoing the mounting bracket retaining screws with a Phillips screwdriver.
2. Check the Allen bolt securing the left-hand mounting bracket for tightness. Unroll the curtain completely.

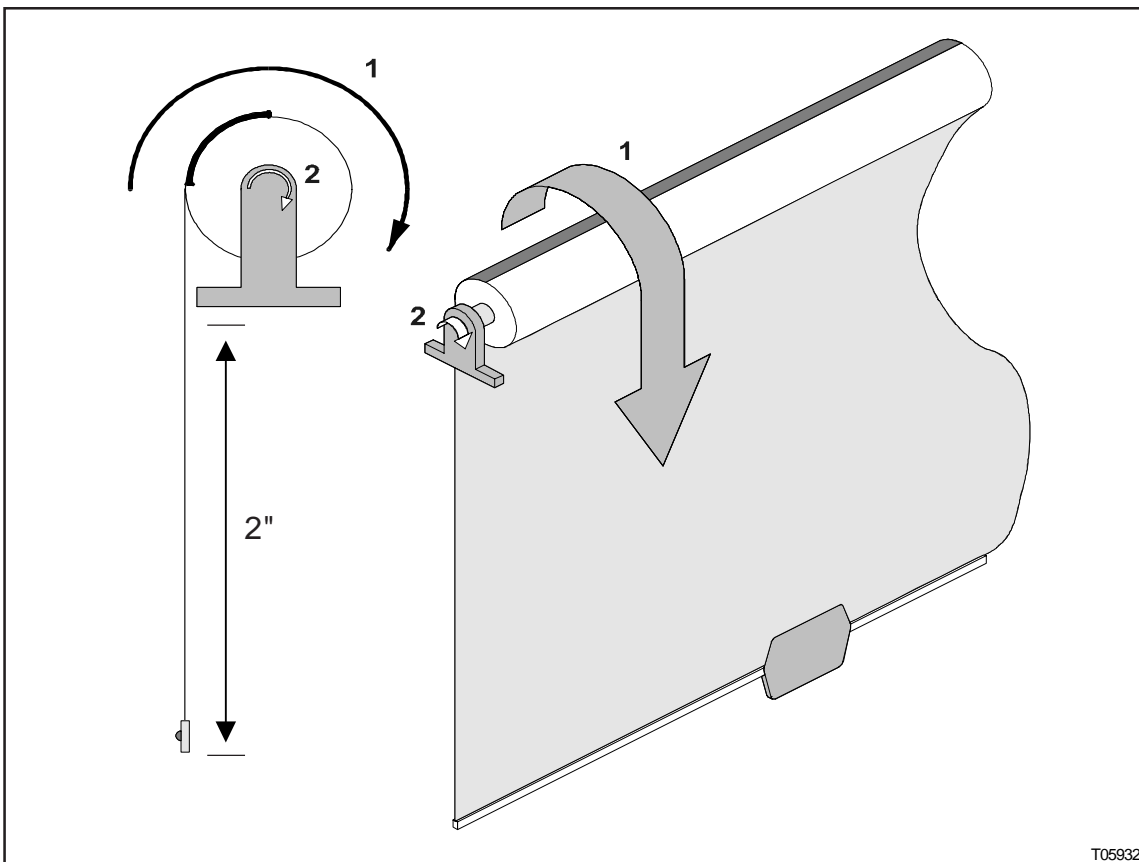
Service Bulletins are issued to supplement or supersede information in the Van Hool manuals. Note Service Bulletin number, date and subject on the register at the end of the relevant chapter(s). File Service Bulletin separately for future reference.

K:\SERVICE\USA\PmSB#SB1070A

- Place the curtain on a clean flat surface, with handle (A) directed towards you as shown in Figure 1. Make sure the rivet securing the handle to rod (C) is facing down.



**Figure 1 : Passenger roller curtain with handle (A), spring tensioner and mounting bracket (B), and rod (C)**



**Figure 2 : Passenger roller curtain spring tensioning sequence :**

- Roll up the curtain
  - Set the spring tension
- Roll-up the curtain as shown by arrow 1, Figure 2, until about 2 inches remain drawn.
  - With one hand hold the roller to prevent it from rotating. With the other hand set the roller spring tension by winding bracket 2, Figure 2, nine full turns in the direction of the arrow.
  - With the spring tension set, fully roll up the blind and lock the mounting bracket in the tensioned position with the rod.
  - The return spring is now tightened and the roller curtain ready to be installed.

K:\SERVICE\USA\PM\SB#SB1070A