



# SERVICE BULLETIN No.1070B

Circulate to listed addressees

<b>COACH MODEL</b>	: All
<b>BULLETIN TYPE</b>	: Service Information
<b>MANUAL &amp; SECTION</b>	: Maintenance Manual: Chapter 11 – Body and accessories Spare Parts Manual: Section 740009: Interior trim - accessories
<b>PARTS BOOK REVISION</b>	: No
<b>DATE</b>	: December 8th, 2001
<b>SUBJECT</b>	: <b>Passenger roller curtains</b>
<b>TERMS &amp; CONDITIONS</b>	: No claims will be accepted with reference to this Bulletin.

## THIS BULLETIN SUPERSEDES BULLETINS 1070 AND 1070A

### APPLICATION:

The service information subject of this Bulletin is applicable to all Van Hool units:

### DESCRIPTION:

The procedure in this Bulletin explains how the spring tension of passenger roller curtains can be reset to its original value. Also included is a method to positively secure the roller curtain mounting bracket to the roller curtain shaft.

*Service personnel: please read, initial and circulate.*

<b>Service Manager</b>	<b>Parts Manager</b>	<b>Warranty Administrator</b>	<b>Workshop Foreman</b>	<b>Service Technician</b>

## **PARTS:**

<b>Part No.</b>	<b>Description</b>	<b>Length</b>	<b>Qty.</b>
VH 10701642	Passenger roller curtain, C2045	430 mm	#
VH 10609935	Passenger roller curtain, T2145	640 mm	#
VH 660142437	Passenger roller curtain, T945	850 mm	#
VH 660142430	Passenger roller curtain, T940, T945	860 mm	#
VH 10602077	Passenger roller curtain, T2140	1200 mm	#
VH 660142361	Passenger roller curtain, T940	1280 mm	#
VH 10701371	Passenger roller curtain, C2045	1510 mm	#
VH 660142427	Passenger roller curtain, T945	1630 mm	#
VH 10609936	Passenger roller curtain, T2145	1660 mm	#
VH 660142421	Passenger roller curtain, T940/45, T2140, T2145	1990 mm	#
VH 10611847	Passenger roller curtain, T2140, T2145	2040 mm	#
VH 660142420	Passenger roller curtain, T940	2130 mm	#

- Parts may be purchased from your nearest International Coach Parts Inc. dealer.
- Always use genuine maintenance products and parts. Do not accept imitations.
- Parts disposition: discard according to applicable environmental regulations.

## **PROCEDURE:**

### **1. General:**

- The time required to readjust spring tension and secure the mounting bracket to the curtain shaft is approximately 10 minutes.

### **2. Special tools, equipment or services:**

- No special tools, equipment or services are required.

### **3. Preparations:**

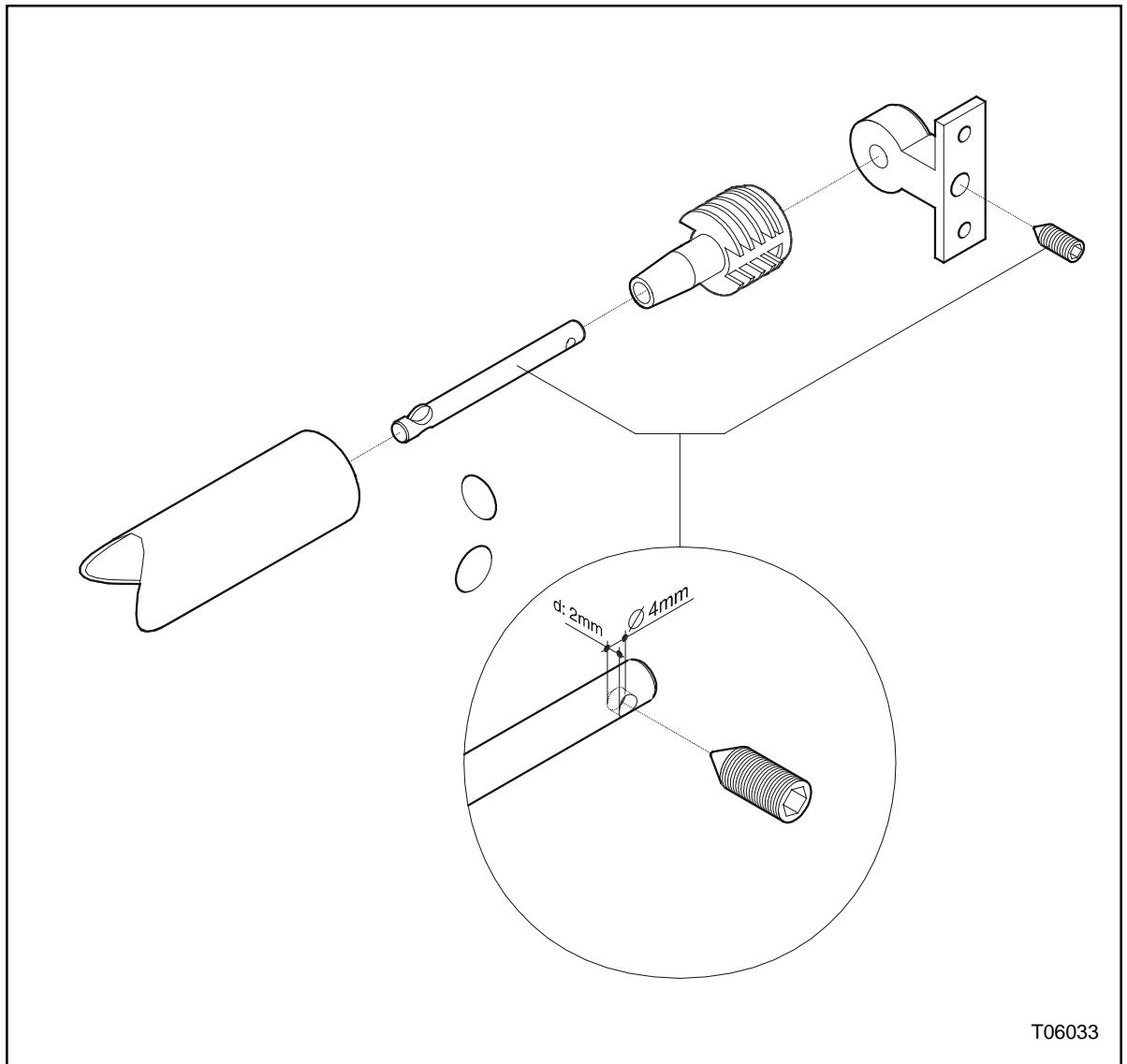
- Read the entire procedure before beginning to work.

**CAUTION: Observe safe shop practices at all times. The return spring will unwind suddenly during removal of the roller curtain.**

### **4. To secure the curtain mounting bracket:**

- 1) Remove the defective roller curtain by undoing the mounting bracket retaining screws with a Phillips screwdriver.
- 2) With an Allen key, undo and remove the socket head cap screw securing the mounting bracket to the roller curtain shaft.
- 3) Pull the bracket from the shaft, taking care not to drop the shaft into the roller curtain tube.

- 4) Locate the centerpunched dip on the shaft. Clamp the shaft in a vise and enlarge the dip with a 4 mm (#22) drill bit, drilling a 2 mm (.0787 inch) deep hole (see Figure 1).



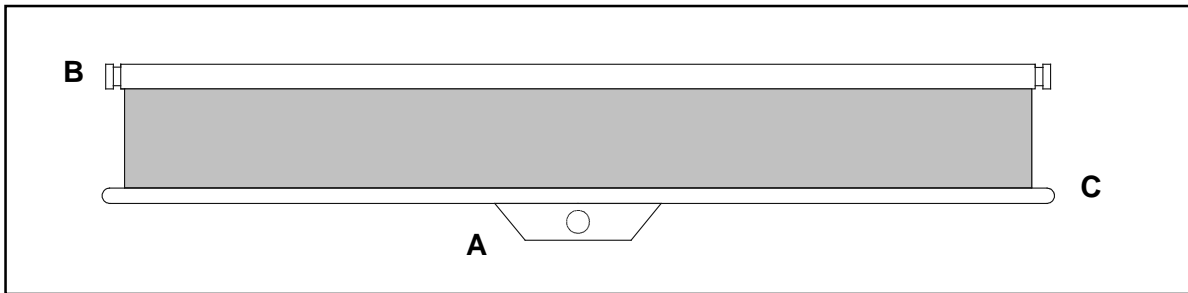
**Figure 1: Roller curtain shaft modification**

- 5) Reinstall the bracket on the shaft, making sure the hole in the bracket foot matches the newly drilled hole in the shaft. Run up the Allen bolt and tighten to a torque of 1.7 ft.lbf (2.4 Nm).

**5. To reset the roller curtain spring tension:**

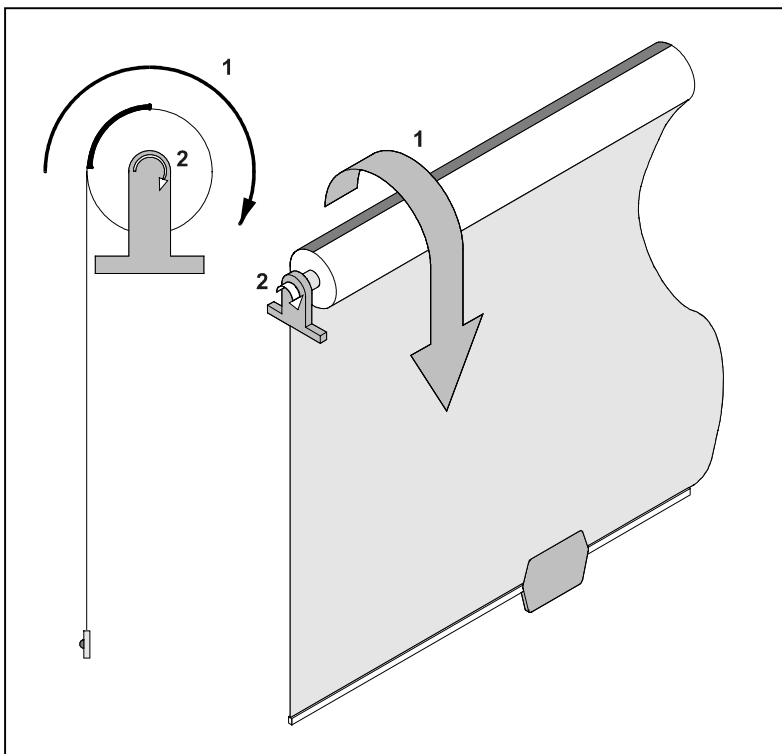
- 1) Remove the defective roller curtain by undoing the mounting bracket retaining screws with a Phillips screwdriver.

- 2) Unroll the curtain completely.
- 3) Place the curtain on a clean flat surface, with handle (A) directed towards you as shown in Figure 2. Make sure the rivet securing the handle to rod (C) is facing down.



**Figure 2: Passenger roller curtain with handle (A), spring tensioner and mounting bracket (B), and rod (C)**

- 4) Roll-up the curtain as shown by arrow 1, Figure 3, until about 2 inches remain drawn.



**Figure 3: Passenger roller curtain spring tensioning sequence:**

**Roll up the curtain  
Set the spring  
tension**

- 5) With one hand, hold the roller to prevent it from rotating. With the other hand set the roller spring tension by winding bracket 2, Figure 3, nine full turns in the direction of the arrow.

- 5) With the spring tension set, fully roll up the blind and lock the mounting bracket in the tensioned position with the rod.
- 6) The return spring is now tightened and the roller curtain is ready to be installed.

*Procedure complete.*

**SERVICE INFORMATION:**

- Service Bulletins are issued to supplement or supersede information in the Van Hool manuals. Note Service Bulletin number, date and subject on the register at the end of the relevant chapter(s). File Service Bulletin separately for future reference.
- Job code: M10551A

**THIS PAGE HAS BEEN LEFT BLANK INTENTIONALLY**