



# Service Bulletin No.1024

MODEL	: T-815/9 45FT DD (T-915/45 DD); T-900/40 & T-900/45; T 2140 & T 2145
TYPE	: <b>Service information</b>
MANUAL & SECTION	: <b>Maintenance Manual: Chapter 11-Body and accessories</b> <b>Parts Manual: Section 7400- Interior trim</b>
DATE	: <b>December 3<sup>rd</sup>, 1998</b>
SUBJECT	: <b>Toilet compartment door microswitch</b>
CONDITIONS	: <b>Service information only. Parts may be purchased from your nearest International Coach Parts Inc. dealer.</b>

**DESCRIPTION:**

1. The toilet compartment door microswitch, which is located in the door post at the edge of the front partition, is activated by the door lock mechanism. When the door is being locked, the microswitch turns on the lights in the toilet compartment, the "toilet occupied" sign, and the toilet ventilation fan (high speed).  
To increase the service life of the switch, van Hool has added a shutter to the striker plate, protecting the microswitch lever. This Service Bulletin shows how the shutter can be fitted.
2. Following section of the parts manual is affected.  
7400-: Interior trim

**PARTS**  
Always use genuine maintenance products and parts. Do not accept imitations!

Part No.	Description	Qty.
VH 10656260	Shutter	1
VH 660634603	Large spacer	2
VH 660750392	Small spacer	1

Service Bulletins are issued to supplement or supersede information in the Van Hool manuals. Note Service Bulletin number, date and subject on the register at the end of the relevant chapter(s). File Service Bulletin separately for future reference.

## **SERVICE PROCEDURE**

### **TOILET COMPARTMENT DOOR MICROSWITCH INSTALLATION**

**!!! CAUTION !!!**

**USE SAFE SHOP PRACTICES AT ALL  
TIMES.**

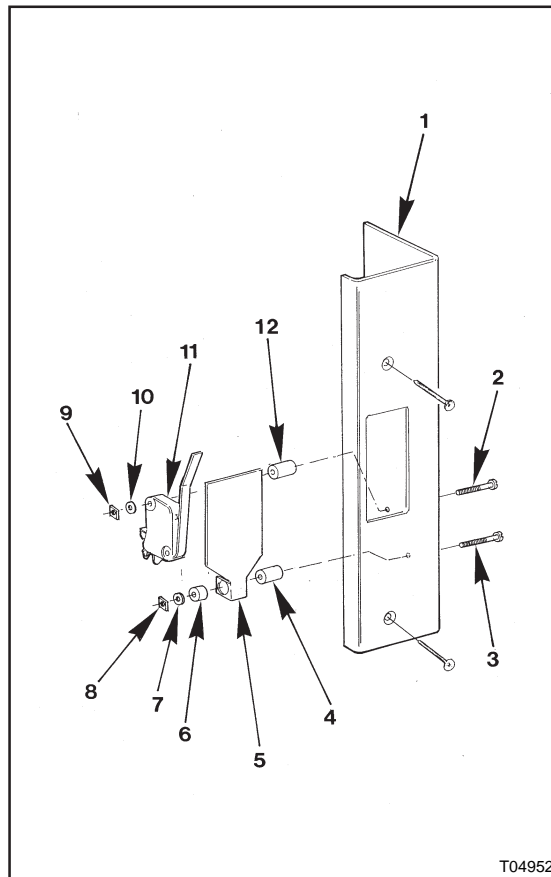
**READ THE ENTIRE PROCEDURE  
BEFORE BEGINNING WORK.**

#### **To remove**

1. Remove the two screws securing the striker plate to the door post.
2. Remove the bolts securing the microswitch to the striker plate. Remove the washers and the spacers.

#### **To install**

1. Place a bolt in the lower hole of the striker plate and slide a large spacer onto the bolt.
2. Align the holes in the shutter with the spacer. Position the microswitch in the shutter (lower hole aligned with bolt).
3. Push the bolt through the hole in the microswitch.
4. Slide the smaller spacer and the washer onto the bolt. Fix nut.
5. Place the other bolt in the upper hole and slide a large spacer onto the bolt.
6. Push the bolt in the hole of the microswitch.
7. Fit washer and nut.
8. Hand-tighten both bolts.
9. Secure striker plate to door post with the two screws.



T04952

**Figure 1: Toilet compartment door  
microswitch assembly**

- |                         |                         |
|-------------------------|-------------------------|
| <b>1. Striker plate</b> | <b>7. Washer</b>        |
| <b>2. Bolt</b>          | <b>8. Nut</b>           |
| <b>3. Bolt</b>          | <b>9. Nut</b>           |
| <b>4. Large spacer</b>  | <b>10. Washer</b>       |
| <b>5. Shutter</b>       | <b>11. Microswitch</b>  |
| <b>6. Small spacer</b>  | <b>12. Large spacer</b> |

*Service procedure complete*