



Service Bulletin No.1002

MODEL : T-915/45 DD, T-900/40 & T-900/45, T-900/45 SHELL

TYPE : Service information

MANUAL &

SECTION : Maintenance Manual: Chapter 9 - Electrical system

DATE : November 14th, 1997

SUBJECT : Spacer bars for front junction box

CONDITIONS : Service information. Parts may be obtained from International Coach Parts Inc., 17469 West Colonial Drive, Building A, Wintergarden, FL 34787.

DESCRIPTION : Spacer bars have been made available to prevent the front junction box door from touching the lower circuit breakers. The following service procedure provides the necessary instructions for proper installation of the spacer bars.

PARTS:

Always use genuine maintenance products and parts. Do not accept imitations!

Part No.	Description	Qty.
VH 10610338	Spacer bar	2
VH 660284875	M5 x 25 screw	2

Service Bulletins are issued to supplement or supersede information in the Van Hool manuals. Note Service Bulletin number, date and subject on the register at the end of the relevant chapter(s). File Service Bulletin separately for future reference.

!!! CAUTION !!!

USE SAFE SHOP PRACTICES AT ALL TIMES.

READ THE ENTIRE PROCEDURE BEFORE BEGINNING WORK.

SERVICE PROCEDURE:

1. Be sure master switch is "off".
2. Open front junction box door.
3. Remove the two wing screws of the main circuit board.
4. Swing the main circuit board open.
5. Remove the two bolts securing the lower circuit breaker block (circuit breakers 1 to 6) to the plate of the main circuit board.
6. Insert two spacer bars , as illustrated in figure, between board plate and base of lower circuit breaker block.
7. Secure the circuit breaker block with the two M5 x 25 screws from the kit.
8. Close the main circuit board. Install and tighten the wing screws by hand.
9. Close the front junction box door.

Procedure complete

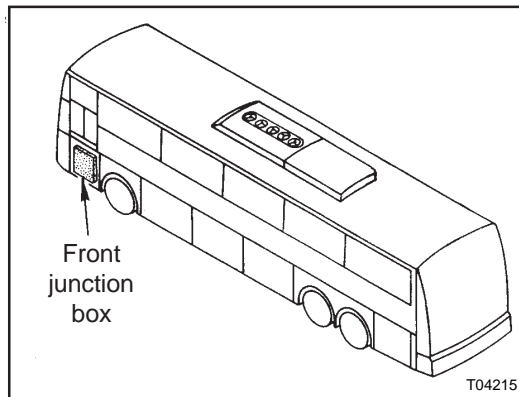


Figure 1: Location of front junction box

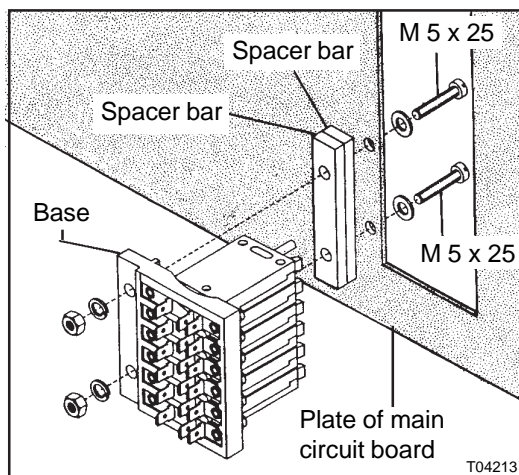


Figure 2: Insert spacer bars between plate of main circuit board and base of lower circuit breaker block