



Service Bulletin No.1003

MODEL	: T-900/40
TYPE	: Service information
MANUAL & SECTION	: Maintenance Manual: Chapter 10 - HVAC system
DATE	: November 14th, 1997
SUBJECT	: Combustion heater exhaust heat shield
CONDITIONS	: Service information. Parts may be obtained from International Coach Parts Inc., 17469 West Colonial Drive, Building A, Wintergarden, FL 34787.

DESCRIPTION : Some coaches manufactured at Van Hool may have had the combustion heater exhaust heat shield inadvertently omitted. The purpose of the heat shield is to protect the right hand tag axle mudguard. If the shield is missing, contact the ABC Warranty Department which will provide the heat shield and hardware needed without cost.

PARTS:

Always use genuine maintenance products and parts. Do not accept imitations!

Part No.	Description	Qty.
VH 10594496	Heat shield	1
VH 660514603	Clamp	1

Service Bulletins are issued to supplement or supersede information in the Van Hool manuals. Note Service Bulletin number, date and subject on the register at the end of the relevant chapter(s). File Service Bulletin separately for future reference.

SERVICE INFORMATION:

1. Free parts will be available for affected vehicles only.
2. Parts identification:
Heat shield VH No.10594496
Clamp VH No.660514603
3. Tool box:
1/4 drive 9/32 inch socket
1/4 inch flexible driver

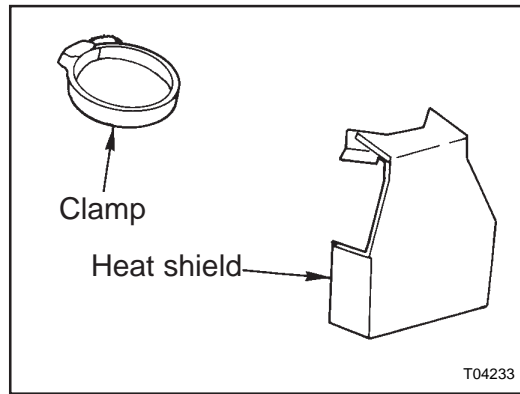


Figure 1: Heat shield and clamp

CAUTIONS AND BASIC SAFETY RULES:

Before working on the combustion heater exhaust system

1. Check that the exhaust pipe is cold.
2. Check that the master switch is off.
3. Disconnect batteries to avoid accidental starting of the combustion heater.

!!! CAUTION !!!

WHEN REMOVING OR INSTALLING BATTERY CABLES, ALWAYS REMOVE THE GROUND CABLE FIRST AND RECONNECT THE GROUND CABLE LAST TO AVOID DANGEROUS SHORT CIRCUITS.

SERVICE PROCEDURE:

!!! CAUTION !!!

**USE SAFE SHOP PRACTICES AT ALL TIMES.
READ THE ENTIRE PROCEDURE BEFORE BEGINNING WORK.**

1. Make sure it is safe to work on the combustion heater exhaust system. Read the cautions and basic safety rules first.
2. Open the engine compartment side door at the right hand side of the vehicle.
3. Using the 9/32 inch socket and flexible driver, open the clamp to a width of 3 7/16 inch.
4. From below, move the clamp upwards over the exhaust baffle plate, and hold it there. Make sure the hexagon head of the clamp is pointing outwards.

5. Insert the heat shield between the clamp and the exhaust pipe. Hook the heat shield retaining brace over the clamp.
6. Move clamp and heat shield further upwards and tighten the clamp for a loose fit over the exhaust pipe. Position the heat shield between the mud guard and the exhaust pipe (refer to figure 2). Check the height of the heat shield.
7. Tighten clamp for a snug fit (max. torque 5 in. lbf).
8. Close engine compartment side door.

Procedure complete

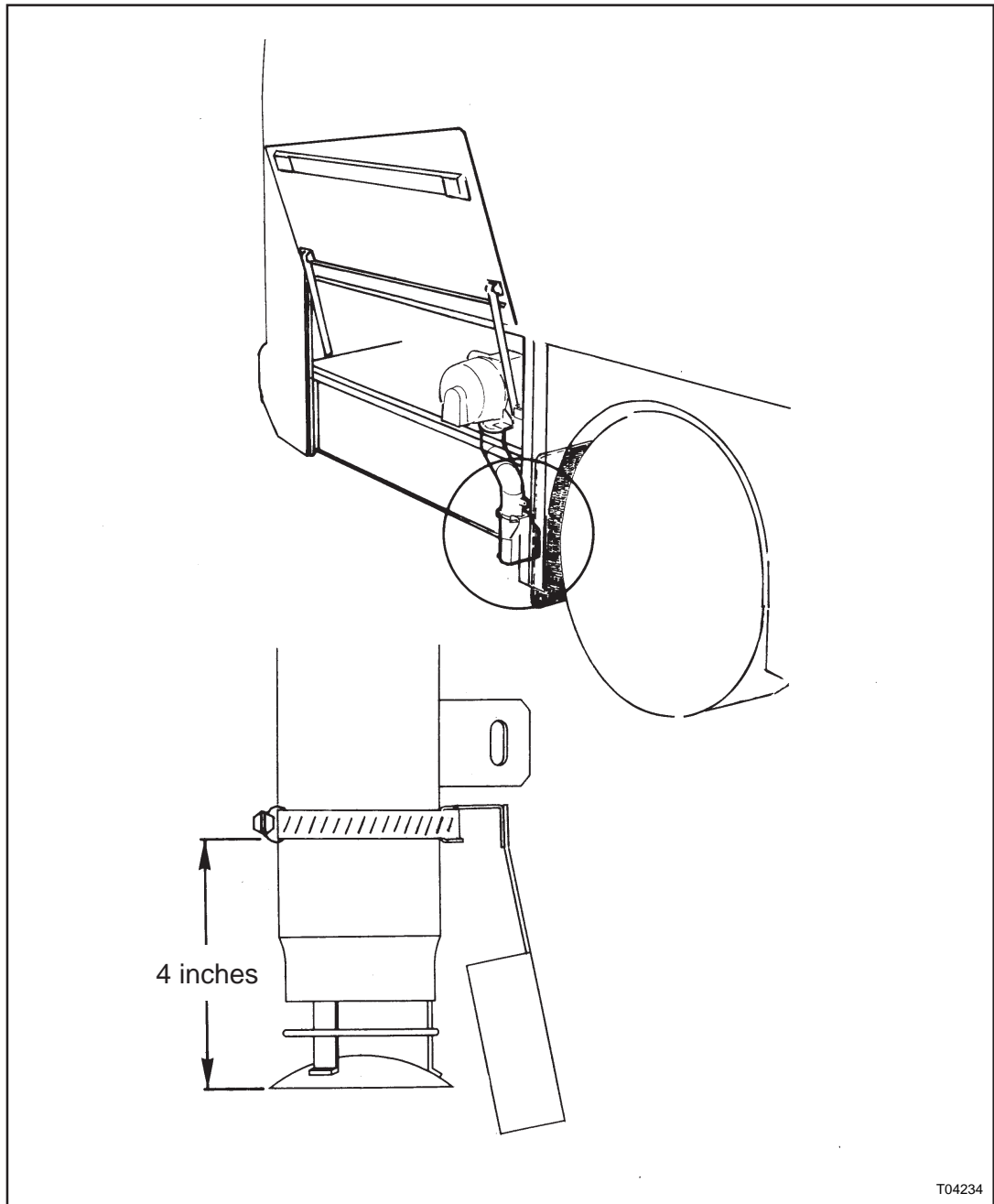


Figure 2: Position of heat shield

