



Service Bulletin No.1025

MODEL	: T-900 Series; T2100 Series
TYPE	: Product improvement
MANUAL & SECTION	: Maintenance Manual: Chapter 5-Brakes Parts Manual: Section 671109- Compressed Air System
DATE	: January 20th, 1999
SUBJECT	: Quick release valve - front brakes
CONDITIONS	: Parts may be purchased from your nearest International Coach Parts Inc. dealer.

DESCRIPTION:

- From October 1998 on, a new QR-1 quick release valve for the front axle brakes has been cut into production. The new valve has a higher supply and delivery pressure differential (crack pressure) than the one formerly installed and provides for more progressive braking. Refer to "Service information" in this Bulletin for practical data.
- Following units have been factory equipped with the new QR-1 quick release valve:
 T-900/45: from VIN 42125 on
 T2140 Cummins: from VIN 40125 on
 T2140 DD: from VIN 40588 on
 T2145 Cummins: from VIN 43247 on
 T2145 DD: from VIN 43751 on

PARTS
 Always use genuine maintenance products and parts. Do not accept imitations!

Part No.	Description	Qty.
VH 10652364	QR-1 Quick release valve Bendix 278483 (crack pressure: 5-8 psi)	1

Service Bulletins are issued to supplement or supersede information in the Van Hool manuals. Note Service Bulletin number, date and subject on the register at the end of the relevant chapter(s). File Service Bulletin separately for future reference.

SERVICE INFORMATION:

1. The QR-1 valve is located next to the front service tank (refer to Parts Manual, Section 671109).
2. The new QR-1 valve is directly interchangeable with the former part.
3. The former QR-1 valve Bendix 107740 (VH 637211890) with crack pressure 0-1 psi will be no longer available as service part for this application.
4. Part identification:
The new QR-1 valve carries a round tag stamped "QR065" (1, Figure 1) and is labeled "Bendix 278483/5 - 8 psi diff" (2, Figure 1)

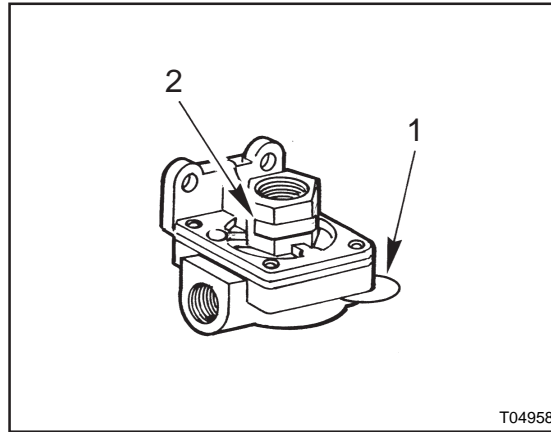


Figure 1:QR-1 quick release valve Bendix 278483 (crack pressure: 5-8 psi) with identification tag (1) and label (2)