



Service Bulletin No. 1074

COACH MODEL	: C2000 Series
BULLETIN TYPE	: Service information
MANUAL & SECTION	: Spare Parts Manual : Section 6212 - Air intake system
DATE	: January 31st, 2001
SUBJECT	: Intercooler to inlet manifold piping
TERMS & CONDITIONS	: Parts may be purchased from your nearest International Coach Parts Inc. dealer. No claims will be accepted with reference to this Bulletin.

DESCRIPTION :

Commuter Spare Parts Manual #S1190 shows an error on page #621209-2118. The actual vehicles are fitted with a single silicone hose.

To update your copy of Spare Parts Manual #S1190, replace old page #621209-2118 by the new page attached to this Bulletin.

Spare Parts Manual #S1190, revision A, has been updated and will not require this change.

PARTS :

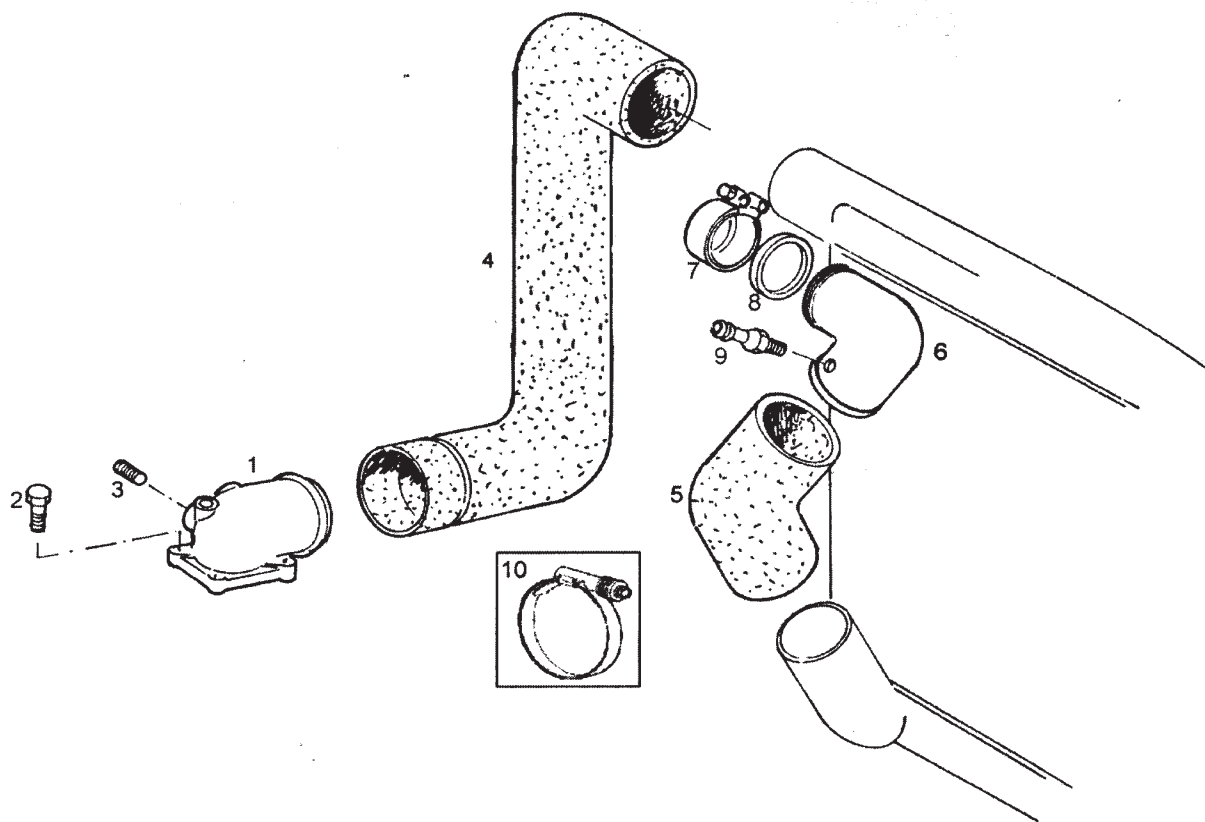
Always use genuine maintenance products and parts. Do not accept imitations.

Service Bulletins are issued to supplement or supersede information in the Van Hool manuals. Note Service Bulletin number, date and subject on the register at the end of the relevant chapter(s). File Service Bulletin separately for future reference.

K:\SERVICE\USA\PM\SB#\SB1074

THIS PAGE HAS BEEN LEFT BLANK INTENTIONALLY

K:\SERVICE\USA\PmSB#SB1074



Pos.	Q.	Ref.N°	Description	Denominación	Spec.
1	1	601400610	Pipe	Tubo	
2	3	660224501	Screw	Tornillo	DIN 933 M10x30
2	1	660245302	Screw	Tornillo	DIN 931 M10x90
3	1	631060102	Plug	Tapón	
4	1	10722490	Hose: silicone	Tubo flexible: silicona	
5	1	10663564	Elbow: silicone	Codo: silicona	
6	1	10533532	Pipe	Tubo	
7	1	631060479	Clamp	Grapa	
8	1	631060472	O-ring	Junta tórica	
9	1	631060418	Pressure gauge connector	Reducción	Ø1/2x1/4NPT (BR)
10	6	10617357	Screw clamp	Abrazadera	Ø95-Ø118mm

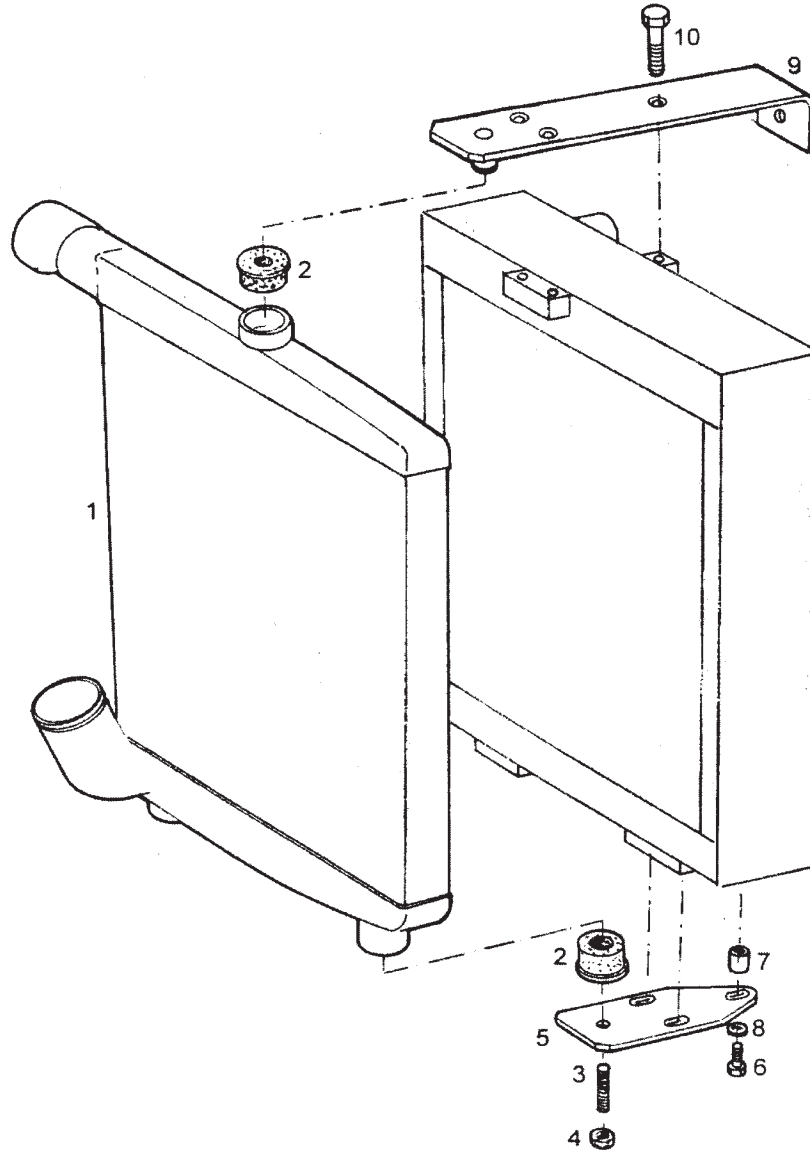


Air intake system
Sistema de admisión

Cummins
2000-11-03

C

621209-2118



Pos.	Q.	Ref.N°	Description	Denominación	Spec.
1	1	10566678	Intercooler	Refrigeración de aire de admisión	
2	3	10567773	Silentbloc	Silentbloc	
3	2	10583461	Stud	Pasador	
4	2	660203403	Nut	Tuerca	DIN 934 M12x1.50
5	2	10682591	Bracket	Soporte	
6	6	660224801	Screw	Tornillo	DIN 933 M10x45 K=8.8
7	6	10583496	Bush	Casquillo	
8	6	660634625	Plain washer	Arandela plana	DIN 125 A10,5
9	1	10682589	Bracket	Soporte	
10	3	660224408	Screw	Tornillo	DIN 933 M10x1.5x25



Air intake system
Sistema de admisión

1999-10-15

A

621209-2124