



# Service Bulletin No. 1090

Circulate to listed addressees

<b>COACH MODEL</b>	: C2045
<b>BULLETIN TYPE</b>	: Service Information
<b>MANUAL &amp; SECTION</b>	: Maintenance Manual: Chapter 11 - Body and accessories Spare parts Manual: Sections 738109 and 738209 - Bumpers
<b>PARTS BOOK REVISION</b>	: Yes
<b>DATE</b>	: October 1st, 2001
<b>SUBJECT</b>	: <b>Thermoplastic bumper shells - fasteners</b>
<b>TERMS &amp; CONDITIONS</b>	: No claims will be accepted with reference to this Bulletin.

## **APPLICATION :**

The modification subject of this Bulletin is applicable to the following units :

<b>Model</b>	<b>Engine</b>	<b>VIN</b>
C2045	Cummins	45254 → 45331
	Detroit Diesel	45703 → 45770

## **DESCRIPTION :**

Effective as from units 45254 (Cummins) and 45703 (Detroit Diesel), energy absorbing bumpers with a thermoplastic shell have been cut into production.

Field experience has shown that flexing of the bumper shell may cause it to become loose and generate noise. This may be remedied by installing conical washers between the shell nuts and the backup beam. The issue has been addressed in production as of units 45331 (Cummins) and 45770 (Detroit Diesel).

Should bumper shell loosening occur, washers may be installed during the next service interval. Refer to the procedure further in this Bulletin for fitting instructions.

*Service personnel : please read, initial and circulate*

<b>Service Manager</b>	<b>Parts Manager</b>	<b>Warranty Administrator</b>	<b>Workshop Foreman</b>	<b>Service Technician</b>

**PARTS (see Figure 1) :**

<b>Part No.</b>	<b>Description</b>	<b>Qty.</b>
VH 660629106	Plain washer, 24x13x2.5 mm, stainless	6
VH 10745959	Conical washer, 16x8.2x0.9 mm, stainless	6

- Parts may be obtained through regular channels.
- Always use genuine maintenance products and parts. Do not accept imitations.



**Figure 1: Bumper shell washers**

**PROCEDURE :**

**1. General :**

- The time required to install the bumper shell washers is approximately 10 minutes.

**2. Special tools/shop equipment :**

- No special tools are required.

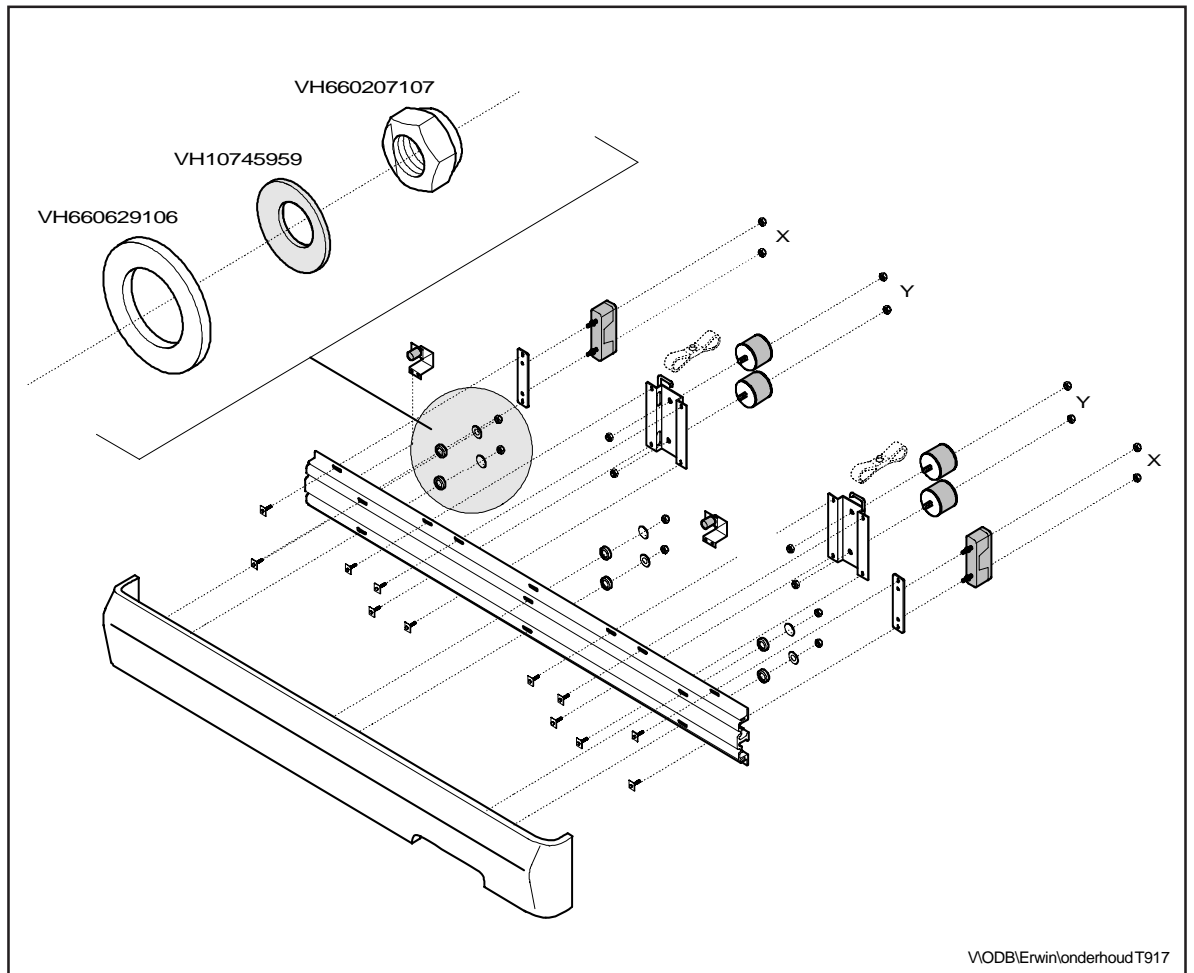
**3. Preparations :**

- Park the coach on a level surface, apply the parking brake and shut down the engine.
- Switch off all systems and turn off the battery master switch.
- Put a "DO NOT OPERATE" tag on the instrument panel.
- Read the entire procedure before beginning to work.

**4. To install bumper shell washers VH 660629106 and VH 10745959 :**

- 1) Undo and remove one of the six nuts securing the bumper shell to the backup beam.
- 2) Install washers VH 660629106 and VH 10745959 as shown in Figure 2.

- 3) Run-up a new self-locking nut VH 660207107.
- 4) Tighten the nut to a torque of 15 ft.lbf (20 Nm).
- 5) Repeat steps one through four for the five remaining bumper shell studs.



**Figure 2: Bumper shell washer and nut installation**

*Procedure complete.*

**SERVICE INFORMATION :**

Service Bulletins are issued to supplement or supersede information in the Van Hool manuals. Note Service Bulletin number, date and subject on the register at the end of the relevant chapter(s). File Service Bulletin separately for future reference.

**THIS PAGE HAS BEEN LEFT BLANK INTENTIONALLY**