



SERVICE BULLETIN No.1191

Circulate to listed addressees

COACH MODEL	: T2100 and C2000 Series
BULLETIN TYPE	: Product Improvement
SECTION	: Section 9 – Electrical system
DATE	: August 24, 2006
SUBJECT	: High mount stop lamp change
TERMS & CONDITIONS	: No claims will be accepted with reference to this Bulletin.

APPLICATION:

The product improvement subject of this Bulletin is applicable to US based units, having one or three supplementary stop lamps installed in the rear panel (see Figure 1).



Figure 1: High mount stop lamp on US coach (typical installation)

DESCRIPTION:

1. High mount stop lamp VH 10719012 has been revised by the supplier and an improved replacement part has been made available as part number VH 10996838.

Description continued on next page.

Service personnel: please read, initial and circulate.

Service Manager	Parts Manager	Warranty Administrator	Workshop Foreman	Service Technician

Continued from page 1.

2. The new stop lamp has been cut into the production of T2100 units as from:

Model	Engine	VIN
T2100	Cummins	44328 →
	Detroit Diesel	44658 →
	Caterpillar	44832 →

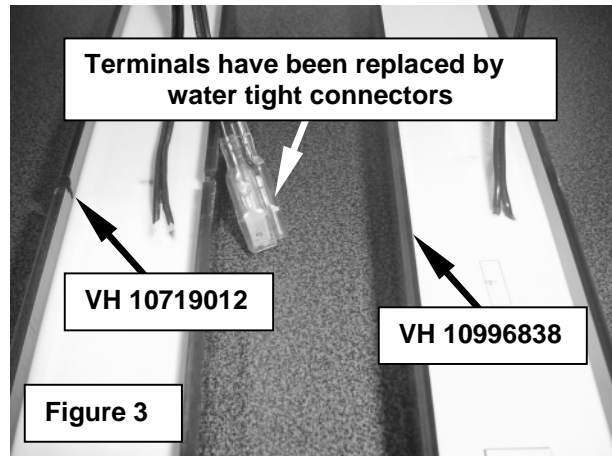
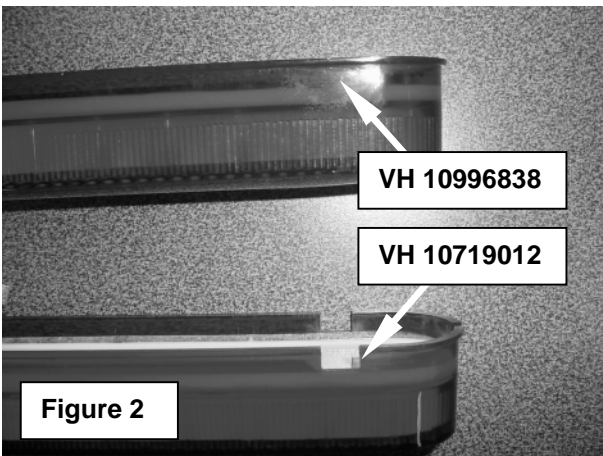
On commuter coaches, this type of stop lamp is no longer used since the introduction of the C2045E model.

However, the new lamp will replace the old one as spare part.

3. Stop lamp VH 10996838 has the following features:

- It is directly interchangeable with the old one.
- The recesses in the housing have been deleted (see Figures 2 and 3). This eliminates cracking of the housing/lens and ingress of moisture. This also makes for a much stiffer assembly.
- The resin layer embedding the LED's and the reflector has been slightly increased for better sealing properties.

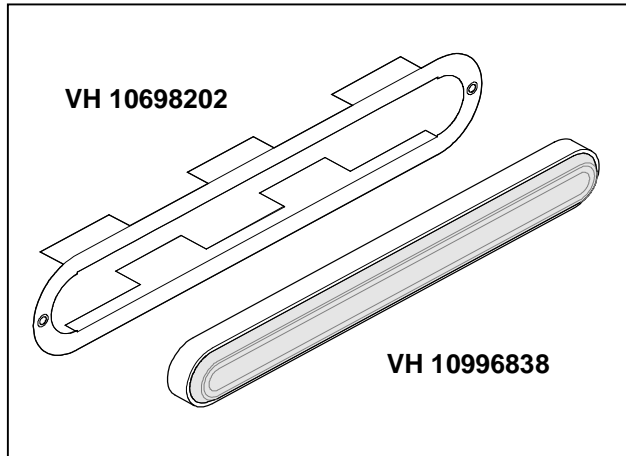
4. The terminals used to hook-up the lamp to the coach wiring have been replaced by butt connectors, which are gel filled and gas tight. Wires are simply inserted into the housing and crimped down, which actuates an insulation displacement mechanism automatically connecting the two wires into an environmentally gel sealed unit. To install, a suitable crimping tool is required (see Figure 8 further in the procedure).



5. This Bulletin has been released to allow owners and operators to convert their units as per the new installation should stop lamp failure occur.

PARTS AND PRODUCTS:

To replace a stop lamp, following parts and products are required:



**Figure 4: Stop lamp VH 10996838 replaces stoplight VH 10719012
Bezel VH 10698202 can be reused**

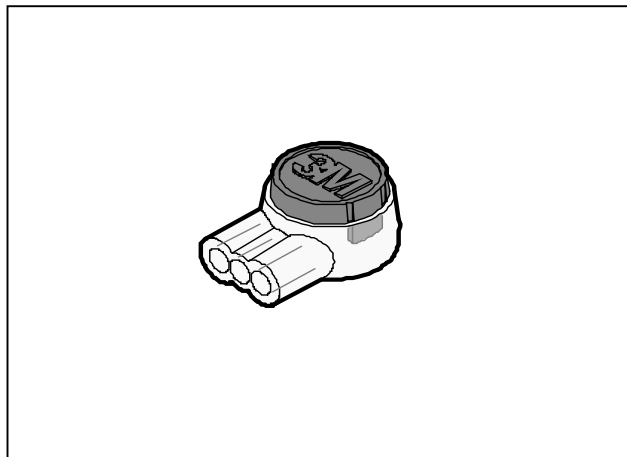


Figure 5: Connector VH 10998909

VH reference	Description	Qty.*
VH 10996838	Lamp, stop	1 or 3
VH 10998909	Butt connector, gel-filled	2 or 6

*Depending on # installed

- Old and new parts are directly interchangeable.
- Parts may be obtained through regular channels.
- Parts and products disposition:

Failure on units covered by the Van Hool normal warranty: the regular procedures apply.
Failure on units not covered by the Van Hool normal warranty: discard according to applicable environmental regulations.

PROCEDURE:

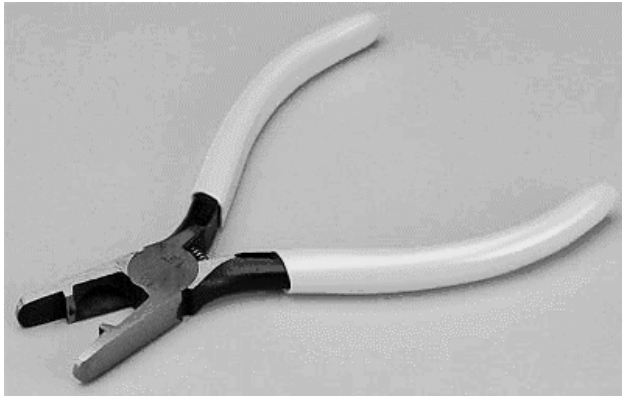
1. General:

- This job should be executed by an experienced automotive service technician.
- For more information refer to:

the Electrical Wiring Diagram Booklet that comes with the coach,
the Maintenance Manual,
the Spare Parts Manual,
and the Operator's Guide Book.

2. Special tools, equipment or services:

- This job requires the use of pliers VH 10998914 (see Figure 6).



**Figure 6: Connector crimping tool
VH 10998914**

3. Preparations:

- Park the coach/transit bus on a level surface service with the front wheels straight. Apply the parking brake and shut down the engine.
- Switch off all systems and turn off the battery master switch.
- Put a "DO NOT OPERATE" tag on the instrument panel.
- Read the entire procedure before beginning to work.

CAUTION: Observe safe shop practices at all times.

4. To replace a high mount stop lamp:

- 1) Undo and remove the two screws securing the stop lamp bezel to the rear panel. Carefully pry loose the bezel, taking care not to damage the paint.
- 2) Dislodge the stop lamp from the recess in the panel.
- 3) Take note of how the color-coded wiring of the coach matches the tracer coded lamp wiring.
- 4) Cut the coach wiring at the terminals (see Figure 7).

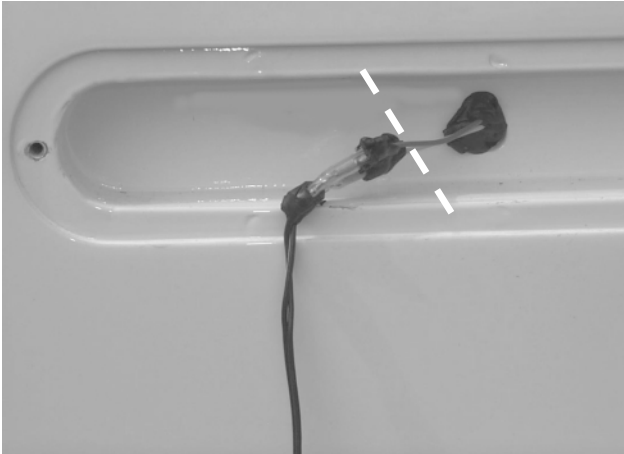


Figure 7: Cut the coach/transit bus wiring at the terminals

- 5) Thoroughly clean the recess in the rear panel to accept the new lamp.
- 6) Referring to Figures 8 and 9 and to the notes taken in step three of this procedure, hook-up the new lamp using butt connectors VH 10998909 and pliers VH10998914. No stripping of wire insulation is required.

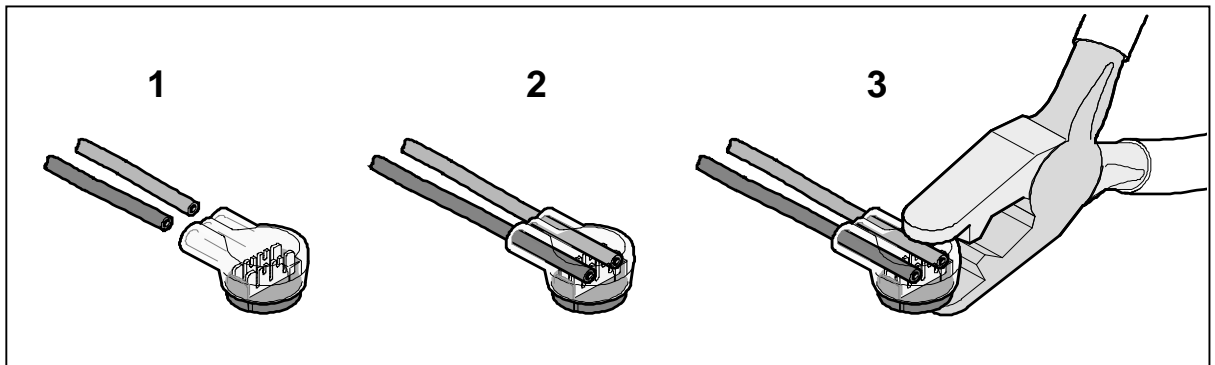


Figure 8: Butt connector VH 10998909 installation procedure:

1. Cut wires to length and straighten
2. Separate and fully insert conductors
3. Crimp with cap side down

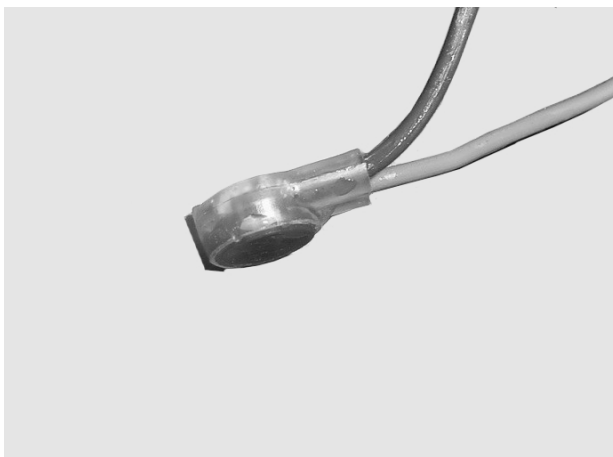


Figure 9: Two-wire connection completed using butt connector VH 10998909

- 7) Install the new lamp in the recess.

- 8) Install the bezel securing the mounting screws hand tight.
- 9) Check brake lamp operation.

Procedure complete.

DISCLAIMER:

The procedures contained herein are not exclusive. Van Hool cannot possibly know, evaluate, or advise the transportation industry of all conceivable ways in which a procedure may be undertaken or of the possible consequences of each such procedure. Other procedures may be as good, or better, depending upon the particular circumstances involved.

Each carrier who uses the procedures herein must first satisfy itself thoroughly that neither the safety of its employees or agents, nor the safety or usefulness of any products, will be jeopardized by any procedure selected.

SERVICE INFORMATION:

Service Bulletins are issued to supplement or supersede information in the Van Hool manuals. Note Service Bulletin number, date and subject on the register at the end of the relevant chapter(s). File Service Bulletin separately for future reference.