



SERVICE BULLETIN

SB1249

ADDRESSEES	: ABC Customer Care and Parts Source
VEHICLE MODEL	: T2100
SYSTEM/SUBSYSTEM	: Glass, windows and mirrors
BULLETIN TYPE	: Service Information
DATE	: April 25, 2013
SUBJECT	: Passenger emergency window closing rubber – To address stretch issues
TERMS & CONDITIONS	: Parts will be provided free of charge. A Service repair time of 5 minutes is determined for the coaches under warranty.

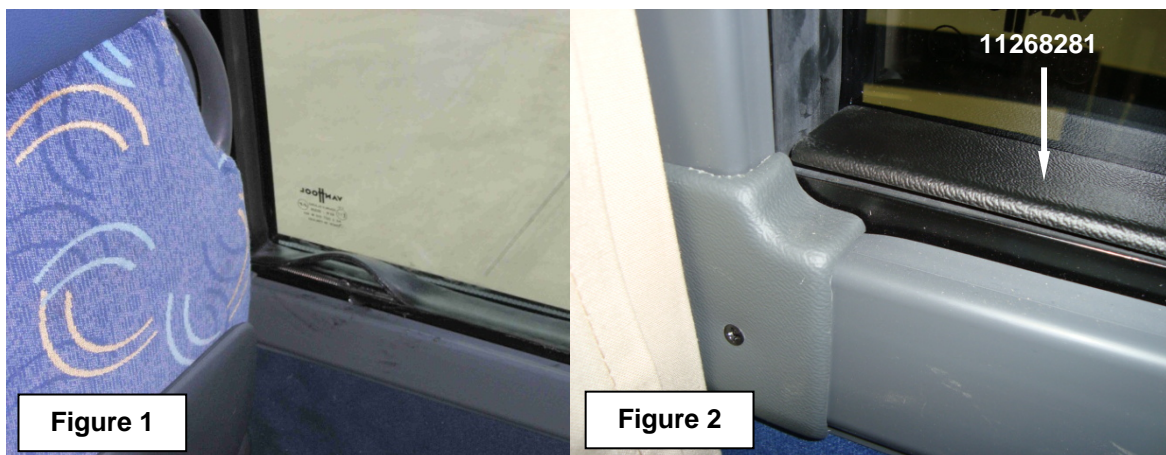
APPLICATION:

This Service Bulletin is applicable to following T2100 units:

Model	VIN
T2140	40161 – 40173; 40624 – 40634
T2145	44335 – 44397; 44400; 44403 – 44404; 44662; 44664 – 44766; 44833 – 44857

DESCRIPTION:

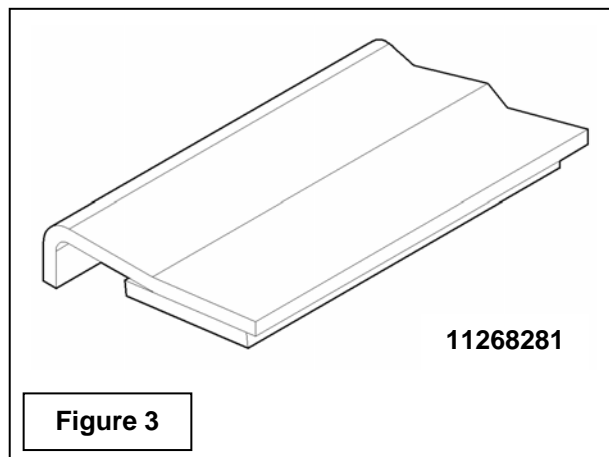
1. The open side of the channels that compose the passenger emergency window frame has been finished with a closing rubber which covers, among other, the emergency release mechanism.
2. This design has always been reliable, but recent field reports indicate that in some cases the rubber may stretch, exposing the release mechanism (Figure 1).



Continued on next page

3. To address the issue, excess closing rubber material may be removed to suit and an ABS enhancement cover fitted to stabilize the rubber (part #11268281, Figures 2 and 3).
4. Should the above-mentioned issue occur, you may carry out this fix as described.

MATERIAL:



VH reference	Description	Qty.
11268281	Cover, enhancement, for window channel closing rubber, L: 1960 mm	1
Local purchase	Degreaser, 50% isopropyl alcohol/50% water	A/R
660864945	Cleaner/degreaser, Loctite 7063	A/R
660864953	Adhesive, rubber, Loctite 424	A/R

- Material may be purchased from your nearest ABC Customer Care and Parts Source facility.
- Parts/Waste disposal: discard old material according to applicable environmental regulations.

JOB REQUIREMENTS:

1. Technician's expertise and job supporting information:

- This job has to be carried out by a technician who is proficient in body and trim repair.
- For more information refer to the service literature that comes with the vehicle.

2. Special tools, equipment or services:

- This job does not require special tools, equipment nor services.

Continued on next page

PROCEDURE:

1. Preparations:

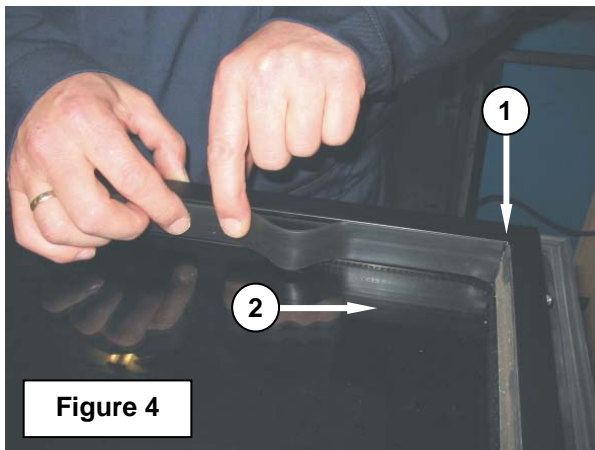
- Park the coach safely, apply the parking brake, stop the engine, switch off all systems and turn off the battery master switch.
- Install a “DO NOT OPERATE” warning message on the instrument panel.
- Read the entire procedure before beginning to work.

CAUTION: Observe safe shop practices at all times.

2. To remove excess closing rubber material:

***NOTE:** Equipment condition: For demonstration purposes the window has been removed from the vehicle. This is not necessary for the actual repair.*

- 1) Using a utility knife, make a right-angle cut through the closing rubber at the bottom corner opposite the emergency release handle (1, Figure 4).



- 2) With a small screwdriver, prize the rubber out of the channel to past the stretched section.
- 3) Press the rubber back into the channel in the direction of the cut (2, Figure 4).
- 4) At the corner, cut-off excess material.
- 5) In the corner area, apply some Loctite 424 adhesive onto the channel and the seam where the closing rubber sections meet. Press the rubber sections into the channel.
- 6) Allow adhesive to cure.

Continued on next page

To install enhancement cover #11268281:

***NOTE:** Enhancement cover #11268281 fits on top of the closing rubber (Figure 5). Bonding between the cover and the rubber is by means of assembly tape (double sided tape).*

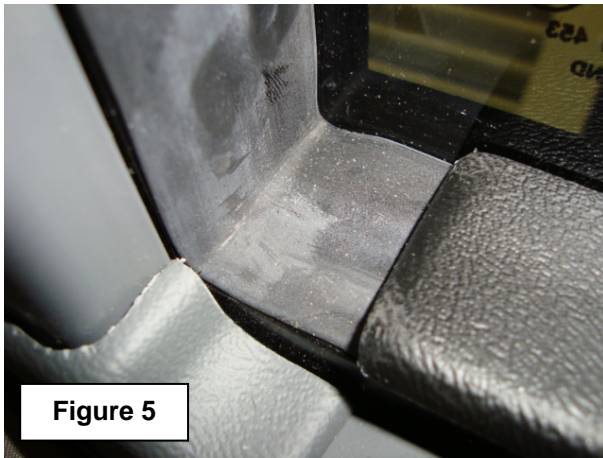


Figure 5

- 1) Thoroughly clean and degrease the closing rubber with a mixture of 50% isopropyl alcohol and 50% water.
Alternatively Loctite 7063 may also be used.
- 2) Trial fit enhancement cover #11268281.
- 3) Dress cover to suit for a perfect fit.
- 4) Remove the protective liner from the assembly tape.

CAUTION: Bond strength is dependent upon the amount of adhesive-to-surface contact developed. Firm application pressure develops better adhesive contact and helps improve bond strength.

This means that the tape should experience at least 15 psi.

- 5) Install the cover applying high pressure evenly while doing so (pressure sensitive adhesive).
Figure 6 shows the final result.



Figure 6

Continued on next page

DISCLAIMER:

The procedures contained herein are not exclusive. Van Hool cannot possibly know, evaluate, or advise the transportation industry of all conceivable ways in which a procedure may be undertaken or of the possible consequences of each such procedure. Other procedures may be as good, or better, depending upon the particular circumstances involved.

Each carrier who uses the procedures herein must first satisfy itself thoroughly that neither the safety of its employees or agents, nor the safety or usefulness of any products, will be jeopardized by any procedure selected.

Procedure complete.