



# SERVICE BULLETIN

SB1276

<b>ADDRESSEES</b>	: ABC Customer Care and Parts Source
<b>VEHICLE MODEL</b>	: Vehicles equipped with Vanner VANN-Guard 70-60M 60 battery equalizer VH# 10983098
<b>MANUAL SECTION</b>	: 14.02 Power supply – battery equalizer
<b>BULLETIN TYPE</b>	: Product improvement
<b>DATE</b>	: March 24th, 2015
<b>SUBJECT</b>	: <b>New Vanner 70-Series VANN-Guard Battery Equalizer</b>
<b>TERMS &amp; CONDITIONS</b>	: No claims will be accepted with reference to this Bulletin.

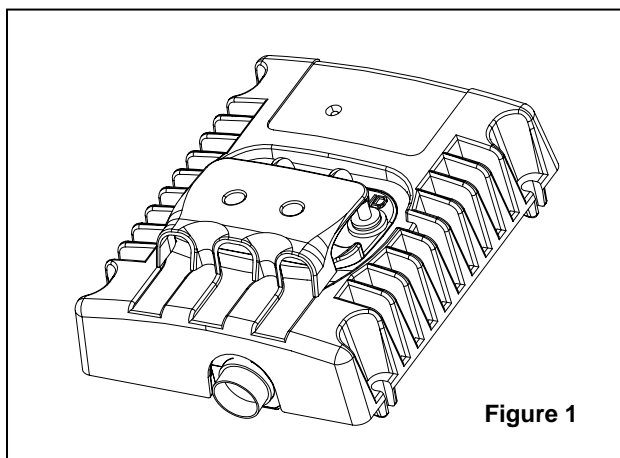
## APPLICATION:

The new battery equalizer subject of this Bulletin has been cut into production as from following units:

<b>Model</b>	<b>VIN</b>
CX	48651 →
TX45	41100 →
TD925US	42494 →

## DESCRIPTION:

1. Van Hool NV has been informed by Vanner Inc., manufacturer of the above-mentioned equipment, that the Vanner VANN-Guard 70-60M 60 battery equalizer # VH 10983098 has been improved. The exterior of the new unit looks identical to the former unit. The difference is internal with added electrical suppression to accommodate the greater electrical demands of newer coaches. The form-fit function is unchanged.
2. The new unit can be used to service former units. Van Hool has discontinued the former unit. The former units will be no longer available as service replacement part.
3. In production, the new battery equalizer will be installed as from January 2015.



*Continued on next page*

## **PARTS AND PRODUCTS:**

### **Old part**

<b>VH reference</b>	<b>Description</b>	<b>Qty.</b>
VH 10983098	Vanner VANN-Guard 70-60M 60 Amp equalizer	1

### **New part**

<b>VH reference</b>	<b>Description</b>	<b>Qty.</b>
VH 11439656	Vanner VANN-Guard 70-60M 60 Amp equalizer	1

- Parts may be purchased from your nearest ABC Customer Care & Parts Source service center.
- Waste disposal: discard old parts and products according to applicable environmental regulations.

## **SERVICE INFORMATION:**

Service Bulletins are issued to supplement or supersede information in the Van Hool manuals. Note Service Bulletin number, date and subject on the register at the end of the relevant chapter(s). File Service Bulletin separately for future reference.