



SERVICE BULLETIN

SB1295

ADDRESSEES	: Owners and operators of coaches listed under 'Application'
VEHICLE MODEL	: TD925 US
SYSTEM/SUBSYSTEM	: 14.10 Electrical system - Wiring
BULLETIN TYPE	: Field Change program
DATE	: July 9 th , 2015
SUBJECT	: Proper attachment and securement of 110Vac cables above LH front wheel housing
TERMS & CONDITIONS	: Refer to the warranty section further in this Bulletin.

APPLICATION:

The Field Change Program, subject of this Bulletin is applicable to TD925US vehicles equipped with 365/70R22.5 tires.

Model	VIN
TD925 US	42301- 42724

DESCRIPTION:

Field reports have shown that the routing and the clamping of the 110Vac cables above the LH front wheel housing on the coach interior can be compromised and needs to be checked. Additional spacers under the cover will be added as well as re-securing and routing the cables. The following information outlines how to perform this job.

MATERIAL:

VH reference	Description	Qty.
11466813	Filler piece, ABS	1
11467273	Spacer, ABS	2
660834809	Double-sided adhesive tape	7 ft.
660274125	Screw, self-tapping, 3.5 x 25 mm	10
660766567	Cable tie	2

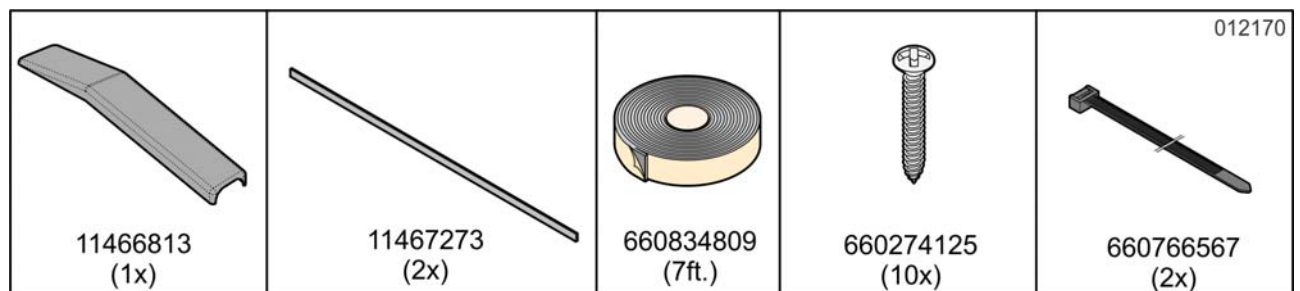


Figure 1: Identification of parts

Continued on next page

JOB REQUIREMENTS:

Job technician's qualifications/experience: body and trim repair.

PROCEDURE:

1. Preparations:

- Apply the parking brake, stop the engine, switch off all systems and turn off the battery master switch.
- Install a "DO NOT OPERATE" warning message on the instrument panel.
- Read the entire procedure before beginning to work



WARNING!

Observe safe shop practices at all times.

2. Procedure

1. Remove the seats in front of the left front wheel housing.
2. Remove the cable loom cover (refer to figure 2).

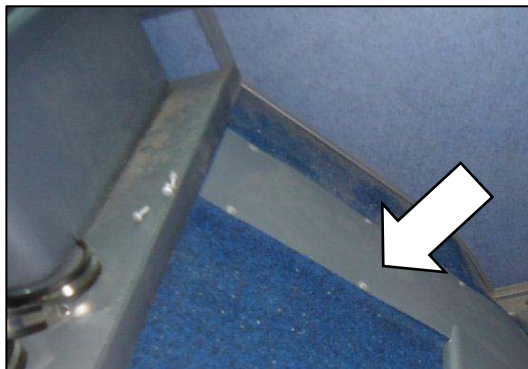


Figure 2

3. Remove the existing cable clamps of the 110Vac cables. Reroute the 110Vac cables so that they come as much as possible beside each other. Secure the 110Vac cables with new cable ties (refer to figure 3).
4. Secure the additional filler piece 11466813 for the 110Vac cables with sealant 10521593 to the wheel housing (refer to figure 3). The kink in the filler piece should correspond with the kink of the wheel housing.

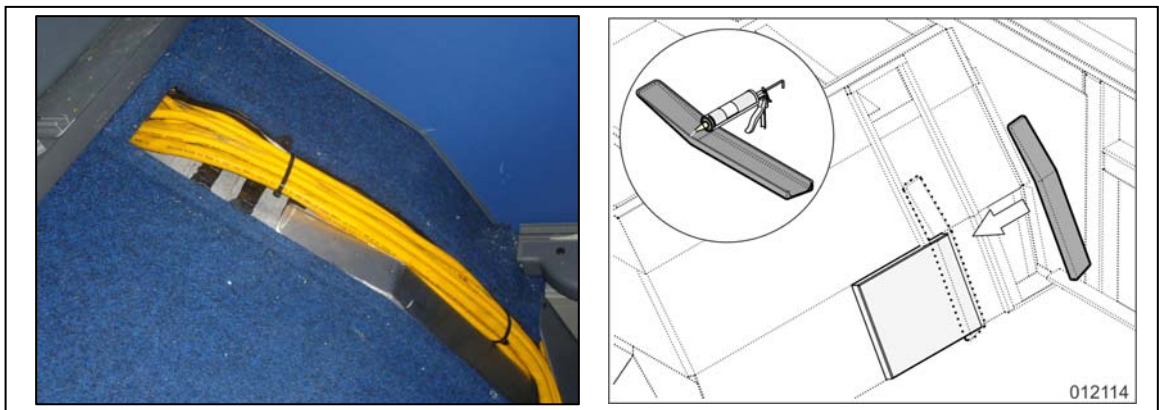


Figure 3

Continued on next page

5. Install two spacers (left and right) with double sided adhesive tape at the underside of the cable loom cover to increase the free space between the cover and the cables.

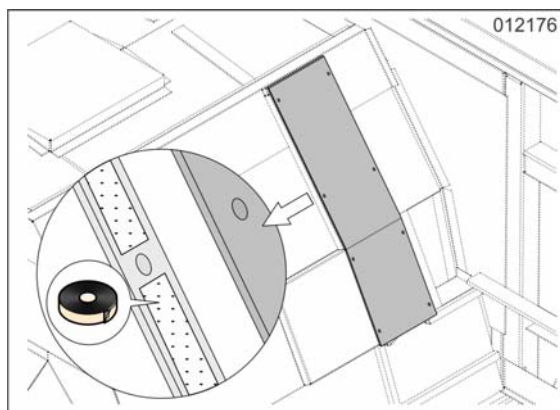


Figure 4: To install spacers at the bottom of cable loom to increase the free space between cover and cables

6. Reinstall the cable loom cover with new (longer) screws.
7. Reinstall the seat.

End of procedure.

WARRANTY:

1. Terms and conditions:

Part supply: parts will be supplied through regular channels, free of charge.

Labor allowance: 1 hour of labor will be awarded per coach repaired.

Campaign expiration date: Service Bulletin issue date + 1 year.

2. Claim references:

- Causal parts: 11466813
- Job code: F50120N

Claim submission: Contact ABC Customer Care Warranty Department for guidance.

INFORMATION HANDLING:

Important supplements to and modifications of the technical information not (yet) included in the manual are communicated by means of Service Bulletins.

File the Service Bulletins in a way that you are able to retrieve them at any time.