

ADDRESSEES	: ABC Customer Care and Parts Source Owners and operators of coaches with Van Hool independent wheel suspension
VEHICLE MODEL	: Coaches with Van Hool independent wheel suspension
MANUAL CHAPTER	: 12.06 Axles – front axle 12.10 Axles – trailing axle
BULLETIN TYPE	: Product improvement
DATE	: April 20 th , 2016
SUBJECT	: Introduction of M20 fixing bolts for wheel-suspension arm joints
TERMS & CONDITIONS	: This product improvement does not entitle to any reimbursement.

APPLICATION:

This product improvement applies to coaches with a Van Hool independent wheel suspension.

DESCRIPTION:

Van Hool is recently using a M20 assembly bolt for securing the suspension arms to the steering knuckle carrier/hub carrier. The M20 assembly bolt allows for an increased tightening torque, resulting in a tighter tensioning of the joint, which in turn has a beneficial effect on the life of the rubber bushings.

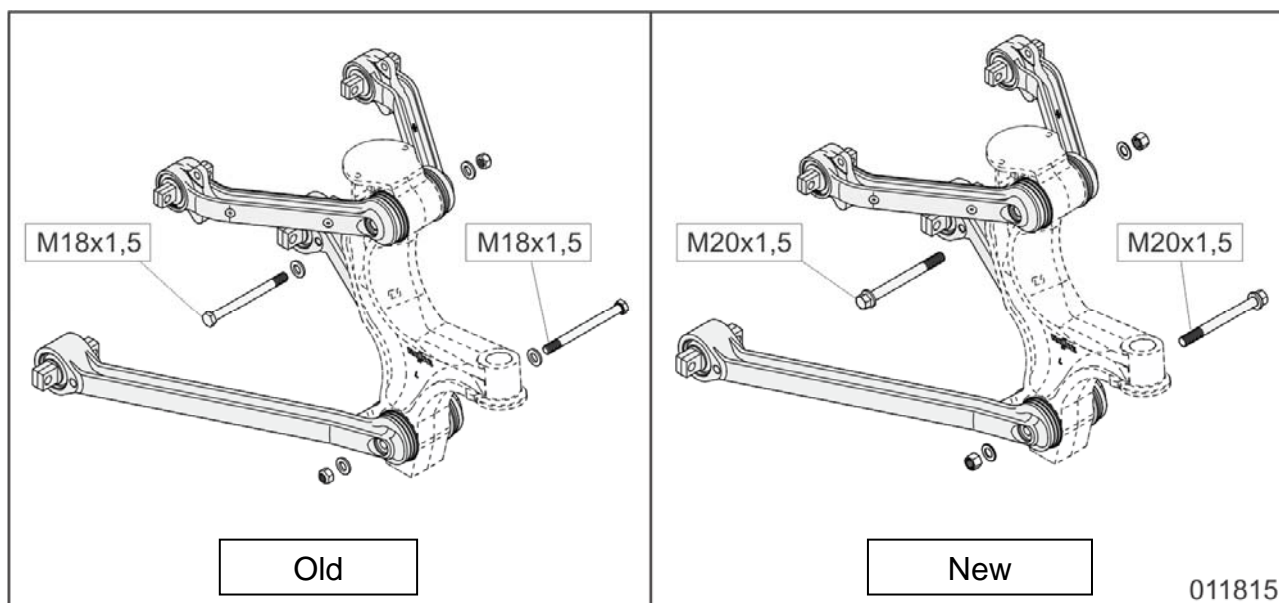
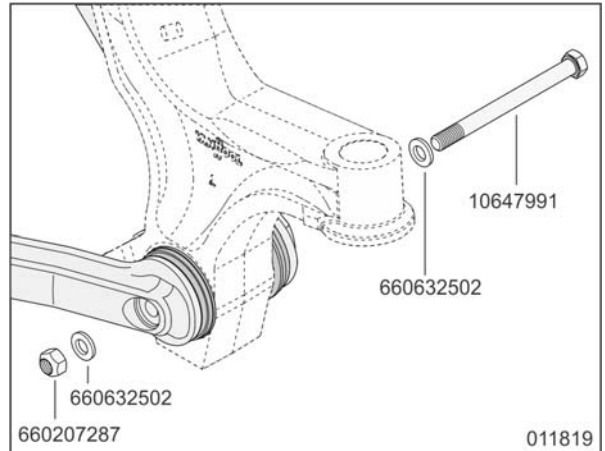
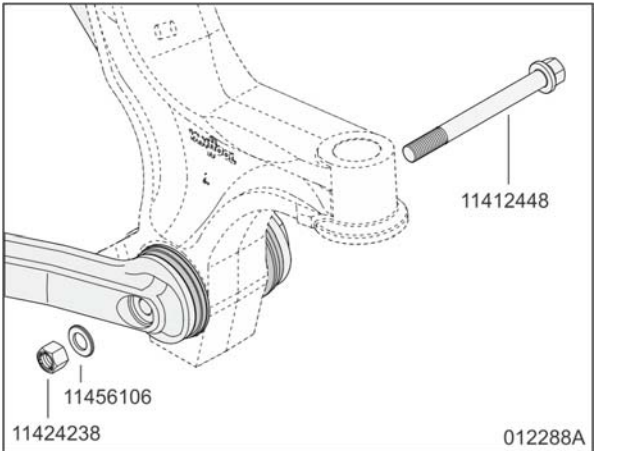


Figure 1: Fastening of wheel-suspension arm joints (figure show front-wheel suspension)

Continued on next page

COMPARISON OF FASTENING SYSTEMS:

Old fastening system	New fastening system
	
<p>Properties of screw 10647991:</p> <ul style="list-style-type: none"> • width across flats: 27 mm (1.06 inch) • shaft thickness: 18 mm (0.71 inch) • shaft length: 210 mm (8.27 inch) • thread type: M18 x 1.5 mm 	<p>Properties of screw 11412448:</p> <ul style="list-style-type: none"> • width across flats: 27 mm (1.06 inch) • shaft thickness: 20 mm (0.79 inch) • shaft length: 205 mm (8.07 inch) • thread type: M20 x 1.5 mm
<p>Properties of nut 660207287:</p> <ul style="list-style-type: none"> • width across flats: 27 mm (1.06 inch) • height: 18 mm (0.71 inch) • self-locking (by mechanical deformation of nut) 	<p>Properties of nut 11424238:</p> <ul style="list-style-type: none"> • width across flats: 27 mm (1.06 inch) • height: 20 mm (0.79 inch) • self-locking (by notches at end of thread)
<p>Tightening torque of nut: 300 + 50 Nm (220 + 35 ft.lbf)</p>	<p>Tightening torque of nut: 500 + 50 Nm (370 + 35 ft.lbf)⁽¹⁾</p>
<p>Van Hool ordering number of joint bolt kit: 11431005 (contains screw 10647991, nut 660207287 and two special spring lock washers 660632502)</p>	<p>Van Hool ordering number of joint bolt kit: 11499934 (contains screw 11412448, nut 11424238 and washer 11456106)</p>
<p>Re-using: The nut must never be reused once it has been removed from the bolt; discard it together with the bolt and the two special spring lock washers.</p>	<p>Reusing: The nut must never be reused once it has been removed from the bolt; discard it together with the bolt and the washer.</p>
<p>Interchangeability: The old and new versions are fully interchangeable. When mounting the new version, bear in mind the increased tightening torque as well as the fact that there is only one washer at the side of the nut. Although the thicker screw shaft, the width across flats of the new screw is still 27 mm.</p>	

⁽¹⁾ Place the socket of the torque wrench by preference on the screw head instead of on the nut.

AFTER SALES:

- Only the new joint bolt kit will be offered as service replacement.
- Rubber bushings will come together with the new joint bolt as kit # 11499707 (contains two rubber bushings 624317270, screw 11412448, nut 11424238 and washer 11456106).

HELP DESK:

If there are any questions regarding this subject, please call ABC Customer Care & Parts Source toll-free for guidance on 1-877-427-7278.

Continued on next page

INFORMATION HANDLING:

Important supplements to and modifications of technical information not yet included in the manual, are communicated by means of Service Bulletins.

VAN HOOL CUSTOMER PORTAL:

Consult the customer portal regularly for the latest service documentation. Beside the maintenance manual, you will also find the operating manual and the spare parts catalogue of your vehicle on the customer portal. The customer portal is accessible through www.vanhool.be, and only with a code (password) from Van Hool. If you do not have a password yet, request it by using the link on the Van Hool website.